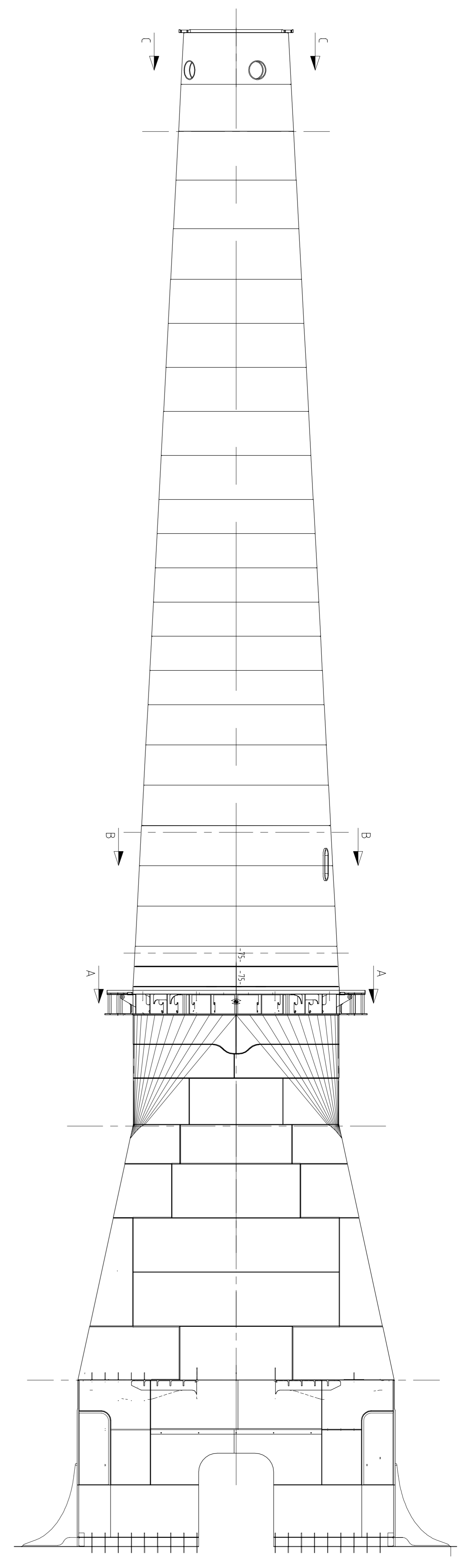
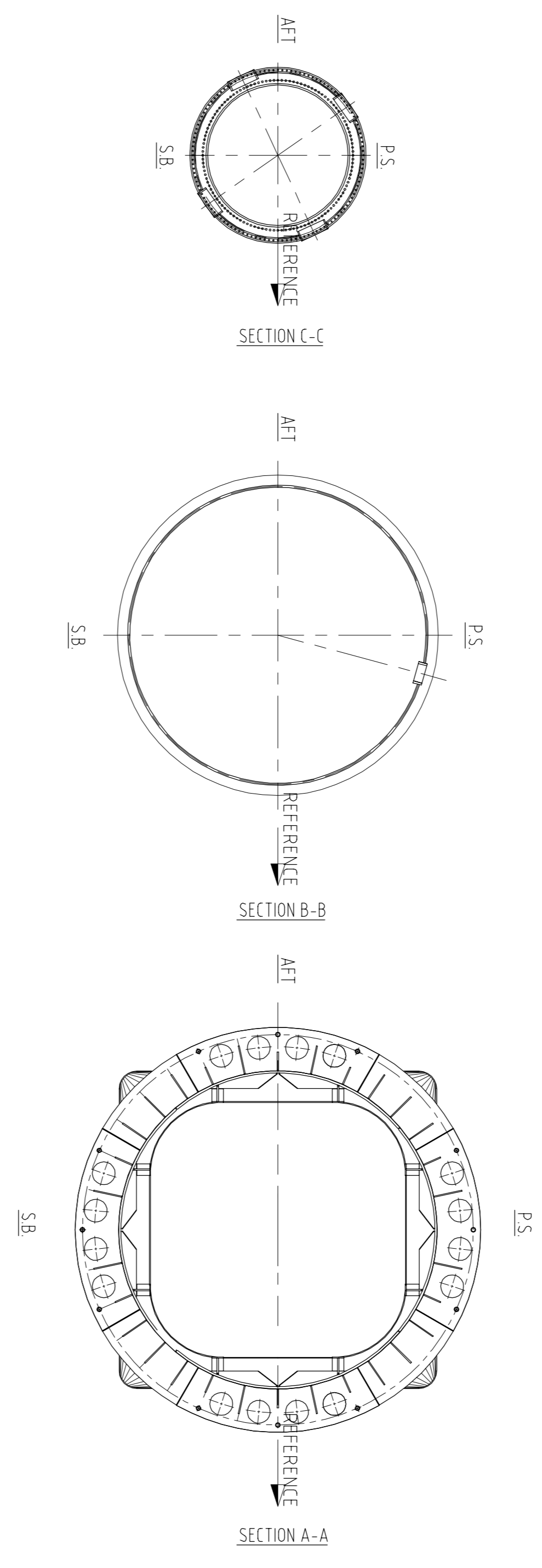


S.B. SIDE



FORESHIP SIDE