

1 2 3 4 5 6 7 8 9 10 11 12

A

A

B

B

C

C

D

D

E

E

F

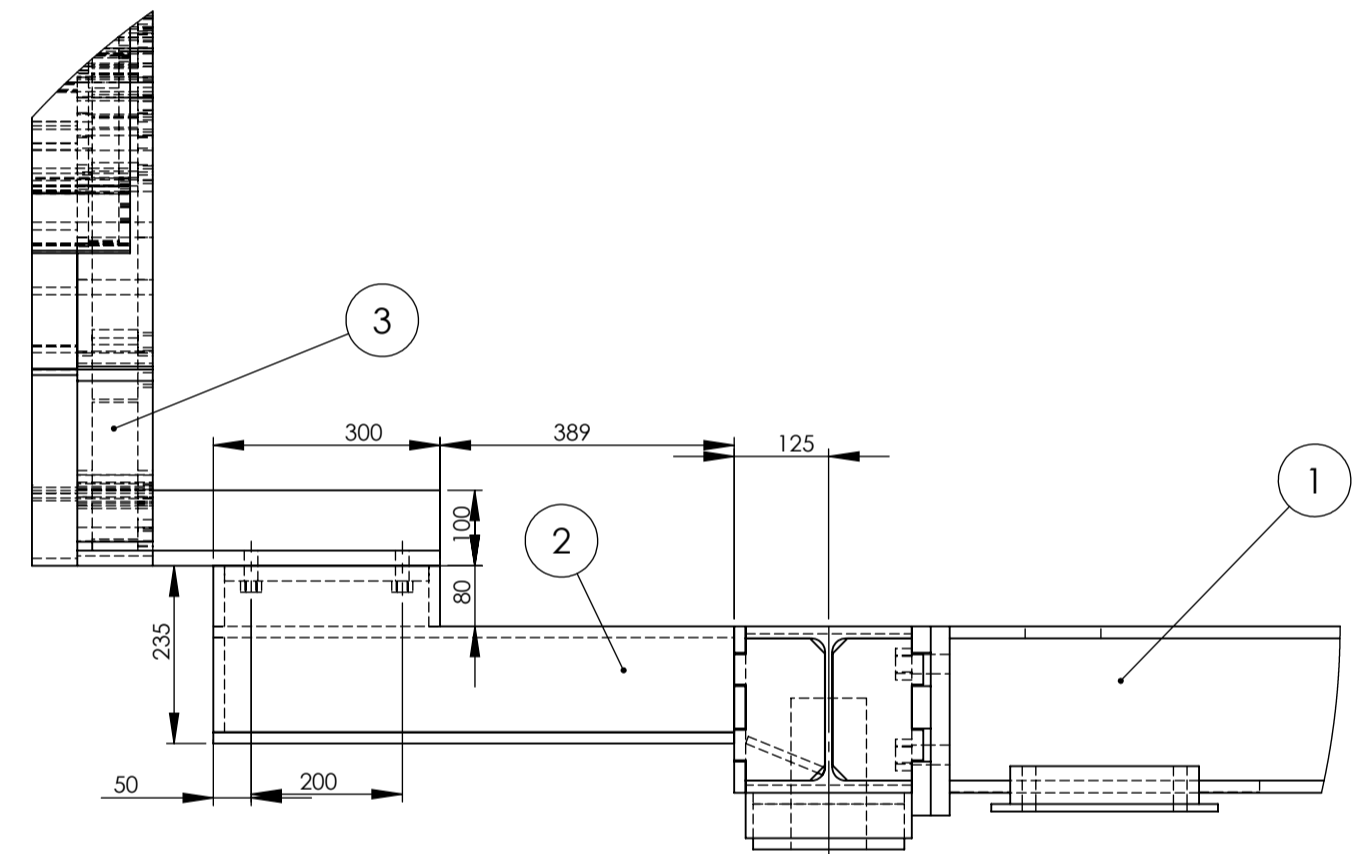
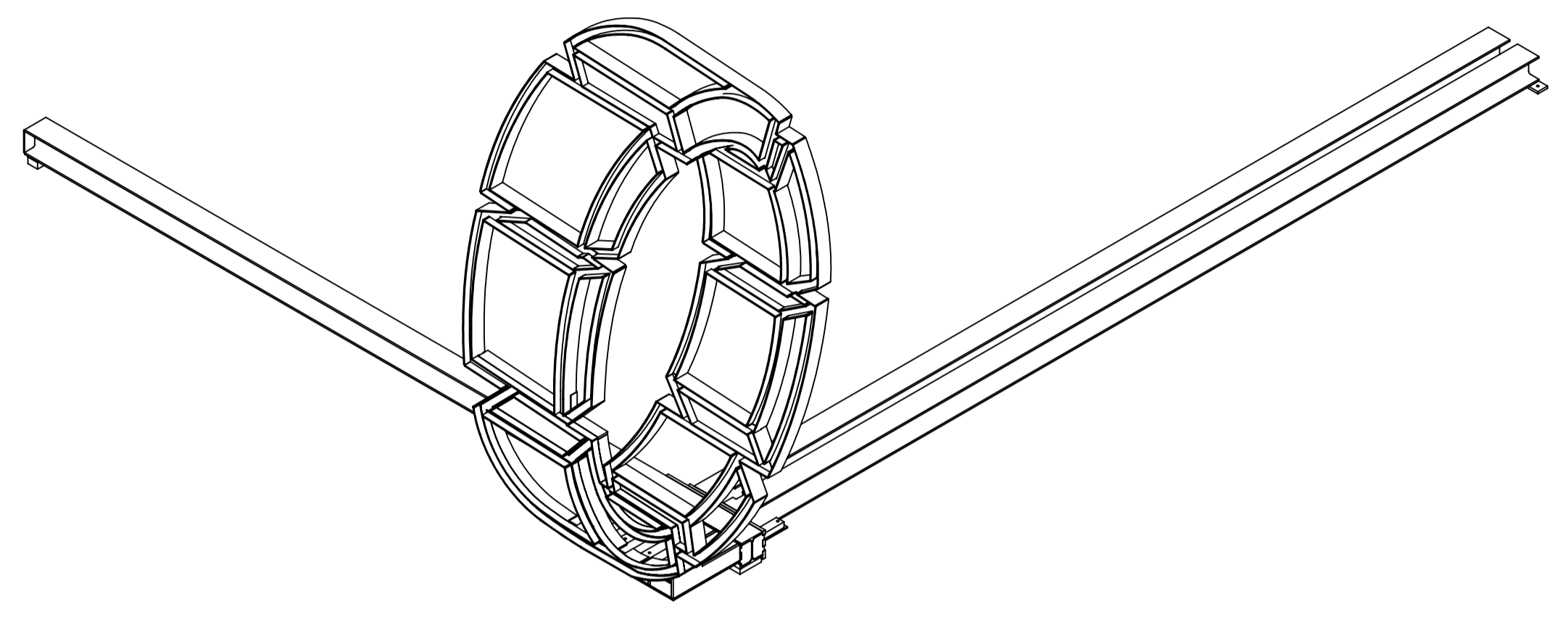
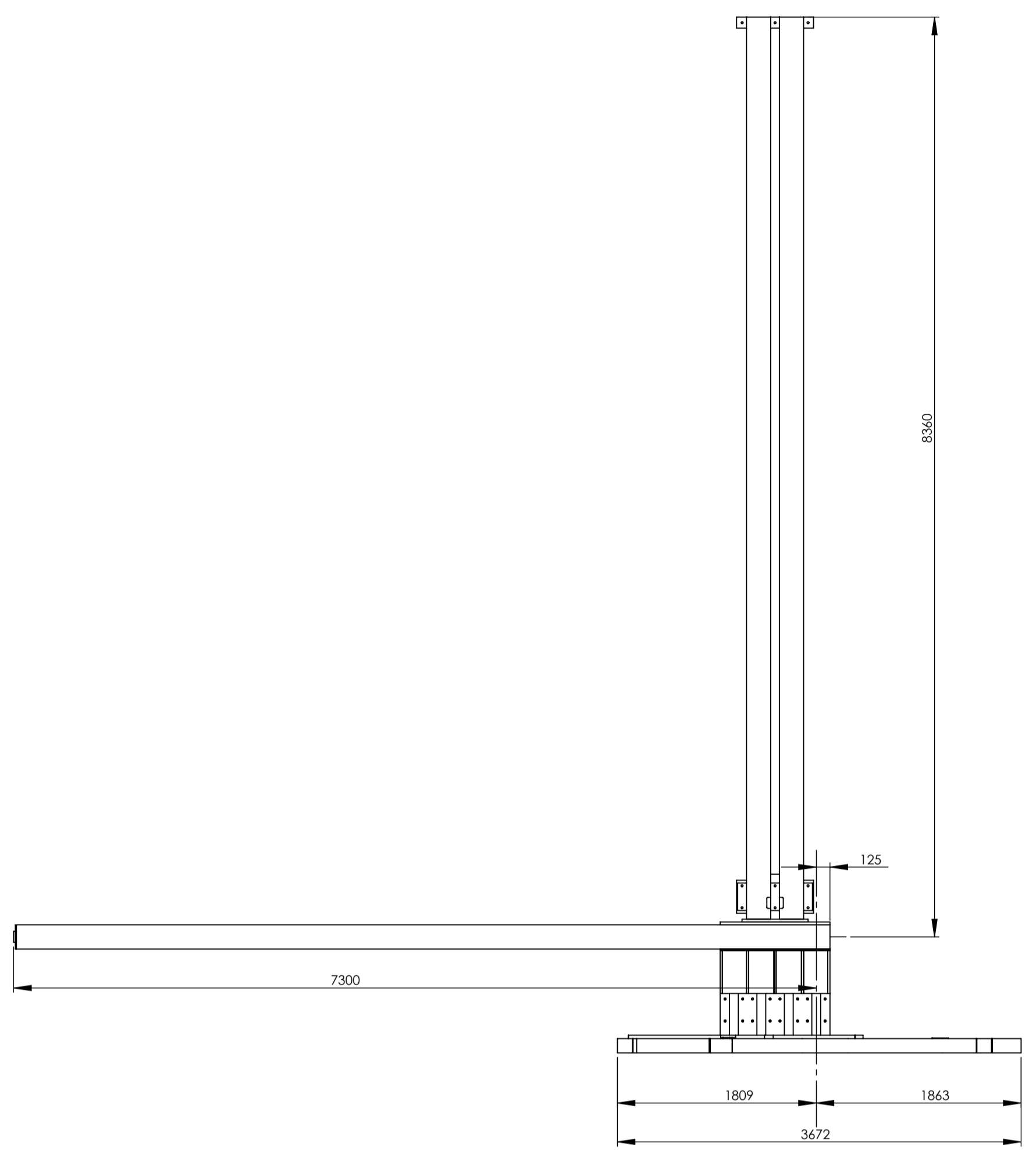
F

G

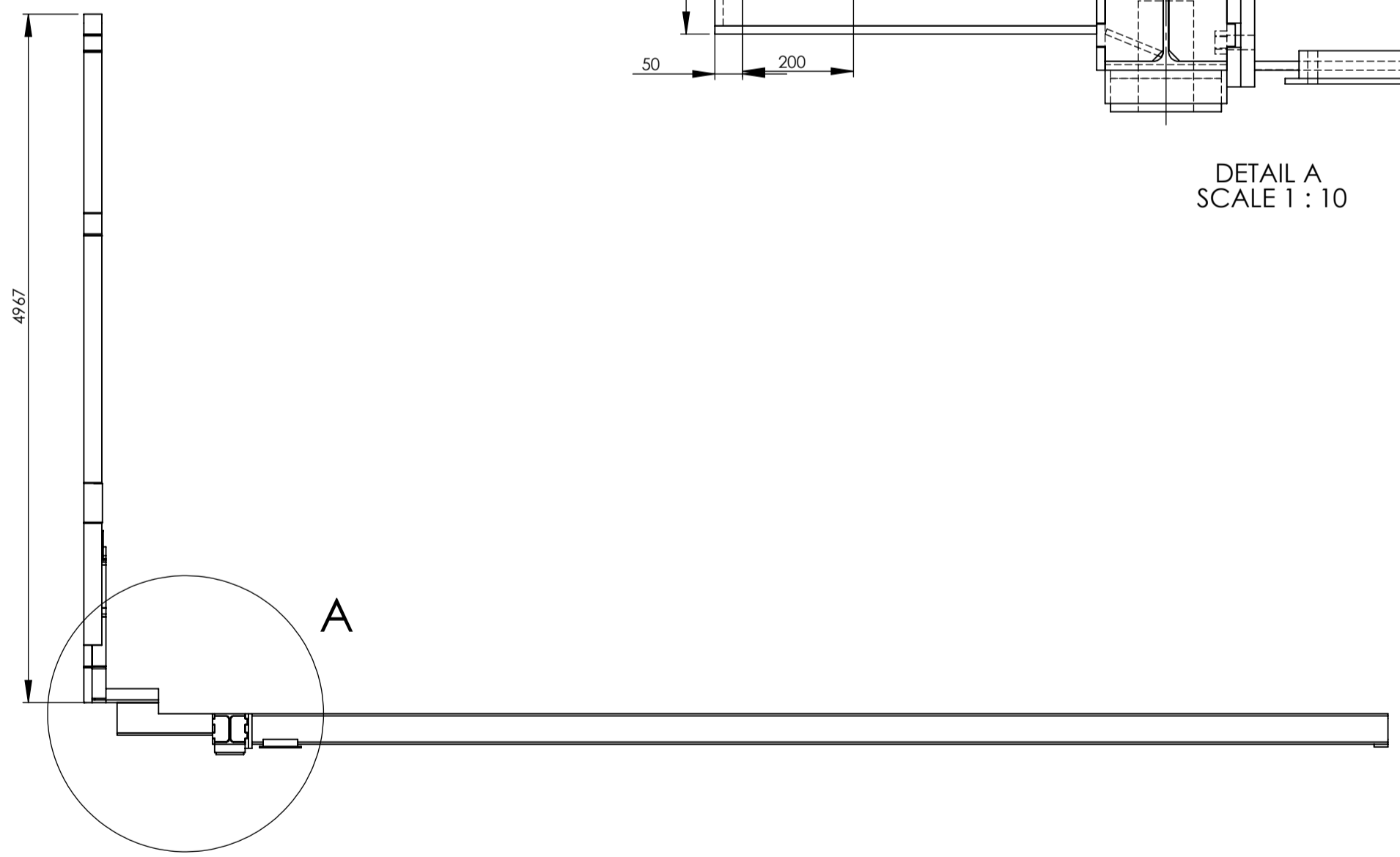
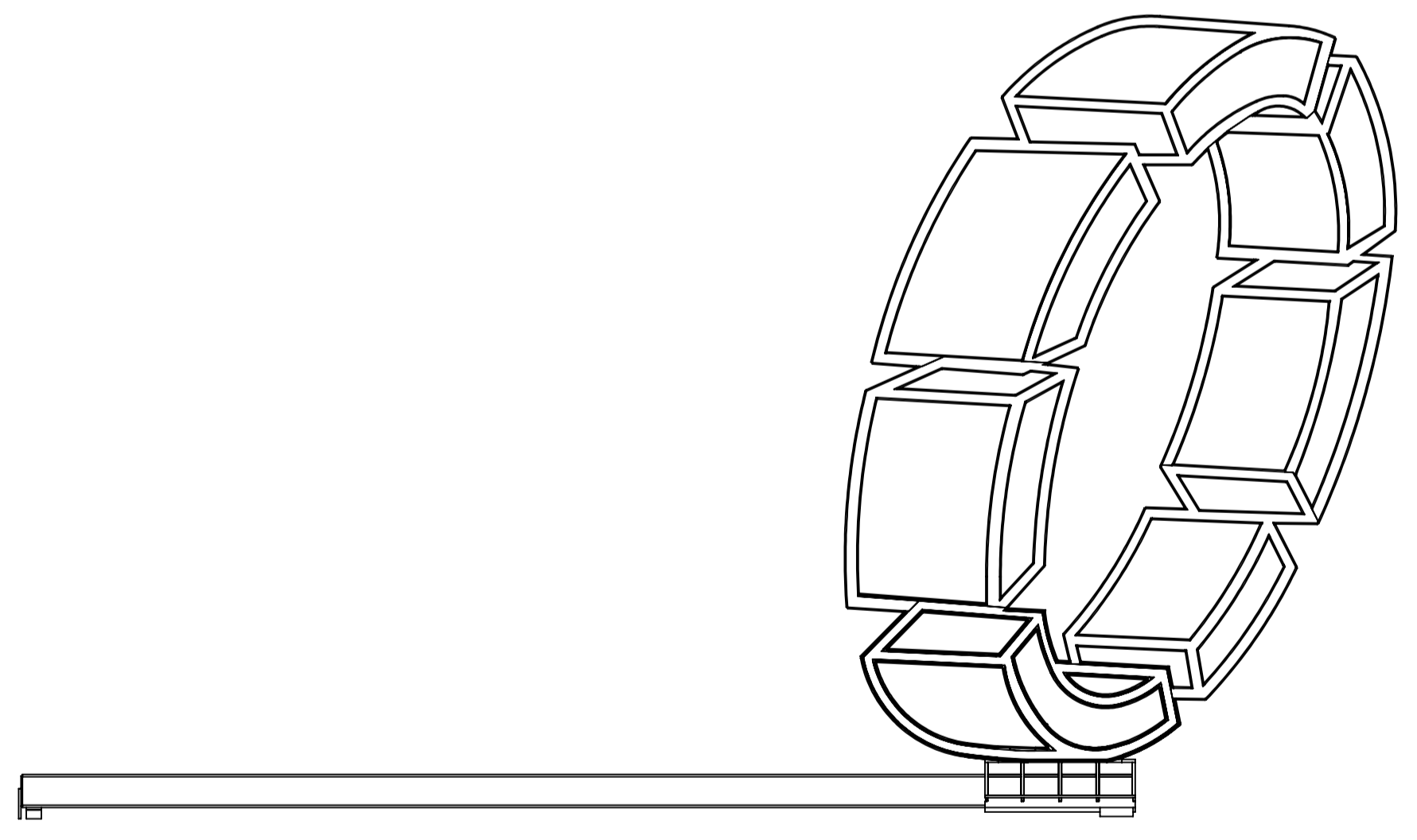
G

H

H



DETAIL A  
SCALE 1 : 10



Pos.	qty.	Dwg. Number	Description	Supplier	Material	Art.No
1	1	4218301	Frame	.	St.37.2	.
2	1	4218300	Frame	.	St.37.2	.
3	1	4218100	Henneman PON Almere	.	St. 37.2	.

Material	ISO 10135-2	Ra in um	ISO 1302	Scale	ISO 1101	ISO 128
Typ			3.2	1:10	A	A
Number						
Treatment	Date	Name	Description	Pon Almere		
Drw. 28-08-11	BD					
Tolerancing ISO 8015	Chkd.					
Auth.				Drawing no.		
Dimensions without tolerances				4218000		
ISO 2768-mH				REV. 1		
DIN 8570-BF				Form. A1		
Replaces:	Refers to:			Release Level: Preliminary		

1 2 3 4 5 6 7 8 9 10 11 12