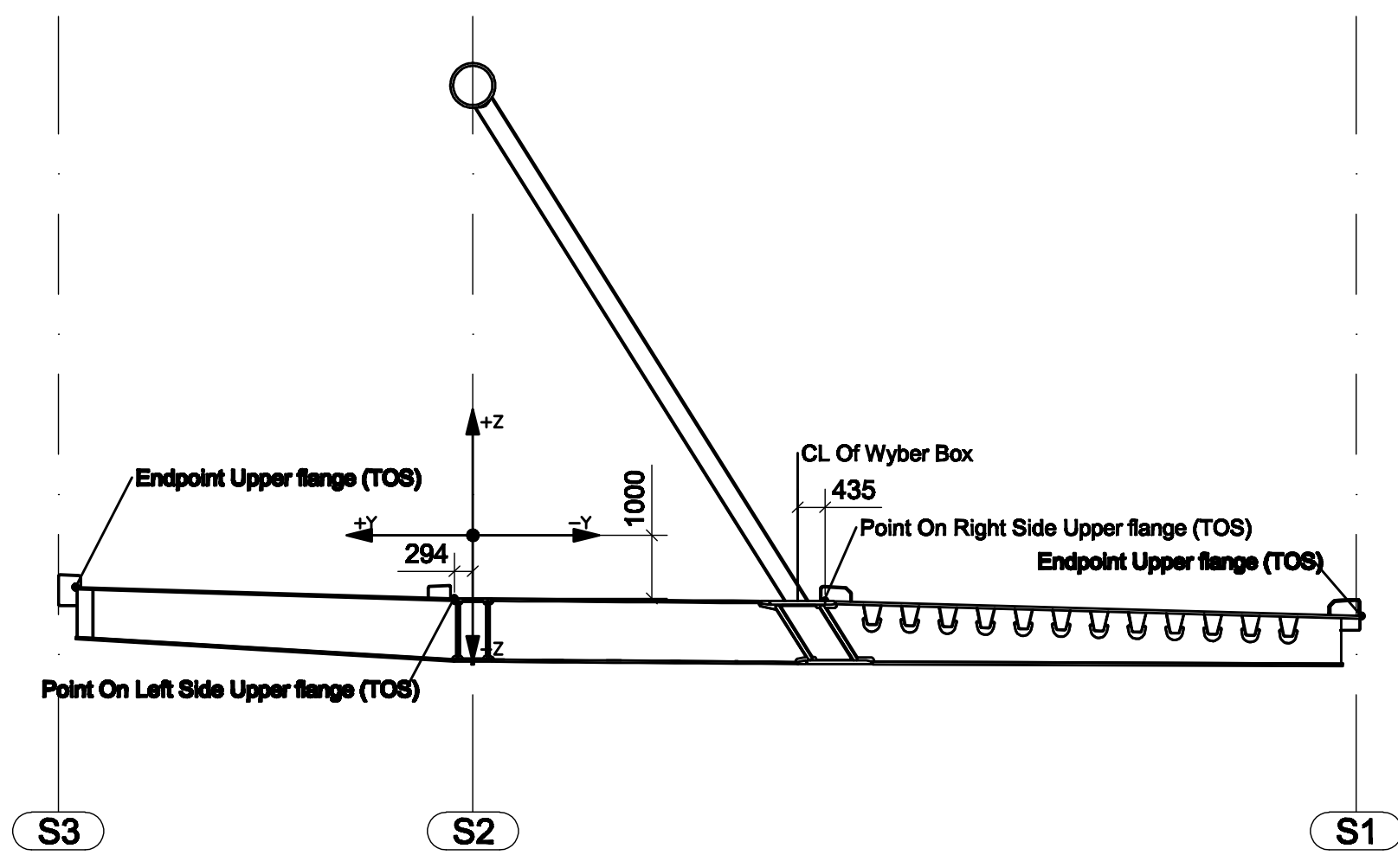
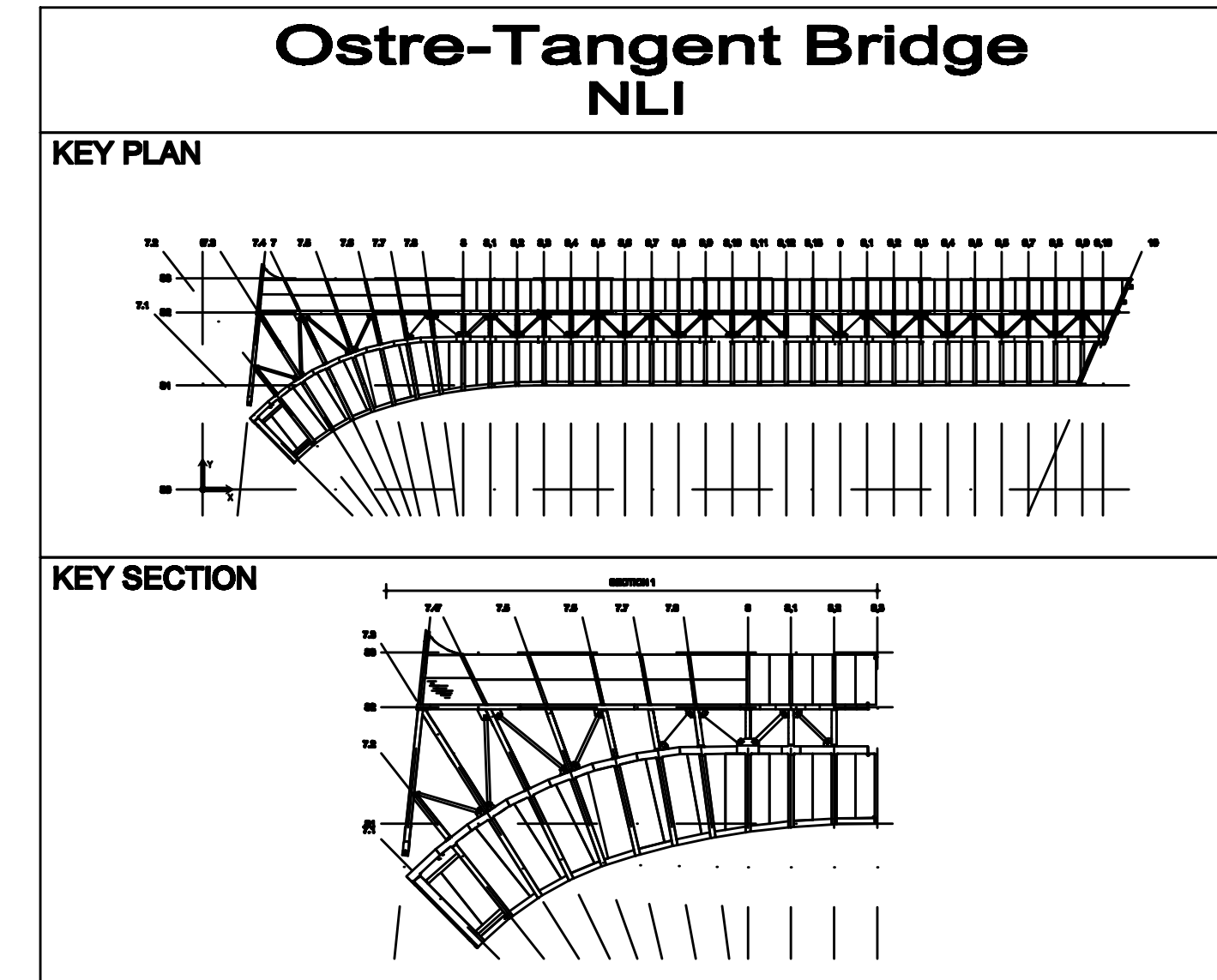


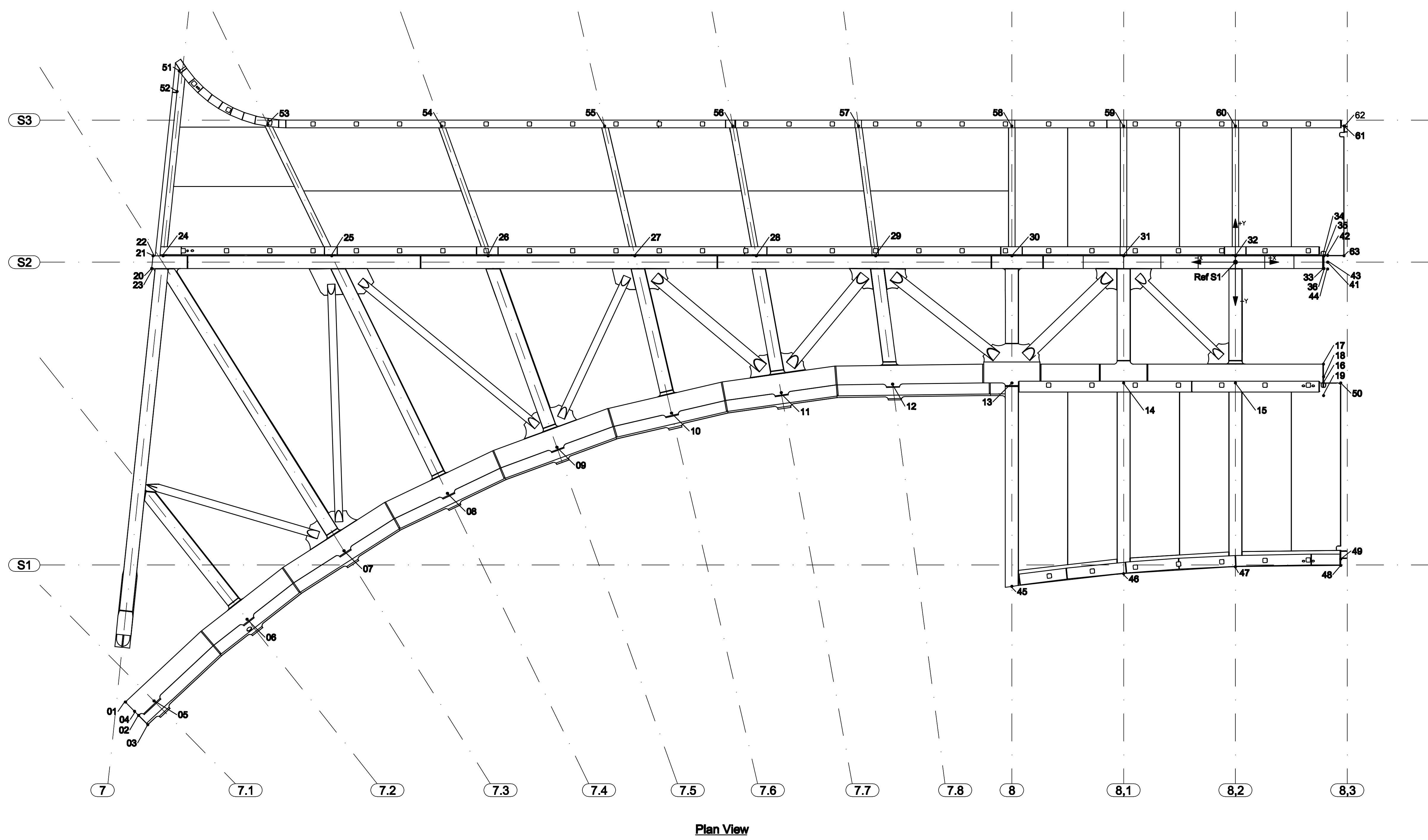
Positions Measurement Points



Section on Axis 8.2
(Similar for Axes 7.1 => 8.1)



Reference for Measurement Points @ Crossing Grid S2/8.2
Reference Drawings: S1-65-005 00-91-001/00-91-003



Plan View

Leigpoint	X Co-ordinate (mm)	Y Co-ordinate (mm)	Z Co-ordinate (mm)	X Co-ordinate (mm)	Y Co-ordinate (mm)	Z Co-ordinate (mm)	Deviation X (mm)	Deviation Y (mm)	Deviation Z (mm)
01	-8192	-2000	-2000	-8192	-2000	-2000	-4	38	-1
02	-8000	-2000	-2000	-8000	-2000	-2000	-6	40	-4
03	-8000	-2100	-2000	-8000	-2100	-2000	-16	41	6
04	-8000	-2070	-2000	-8000	-2070	-2000	-10	43	6
05	-8000	-2070	-2000	-8000	-2070	-2000	-10	43	6
06	-8000	-2070	-2000	-8000	-2070	-2000	-10	43	6
07	-81200	-1200	-1000	-81200	-1200	-1000	1	2	-14
08	-81200	-1200	-1000	-81200	-1200	-1000	1	2	-14
09	-81200	-1200	-1000	-81200	-1200	-1000	1	2	-14
10	-81200	-1200	-1000	-81200	-1200	-1000	1	2	-14
11	-81200	-1200	-1000	-81200	-1200	-1000	1	2	-14
12	-81200	-1200	-1000	-81200	-1200	-1000	1	2	-14
13	-81200	-1200	-1000	-81200	-1200	-1000	1	2	-14
14	-81200	-1200	-1000	-81200	-1200	-1000	1	2	-14
15	0	-8000	-1000	0	-8000	-1000	2	800	1
16	0	-8000	-1000	0	-8000	-1000	2	800	1
17	0	-8000	-1000	0	-8000	-1000	2	800	1
18	0	-8000	-1000	0	-8000	-1000	2	800	1
19	0	-8000	-1000	0	-8000	-1000	2	800	1
20	0	-8000	-1000	0	-8000	-1000	2	800	1
21	0	-8000	-1000	0	-8000	-1000	2	800	1
22	0	-8000	-1000	0	-8000	-1000	2	800	1
23	0	-8000	-1000	0	-8000	-1000	2	800	1
24	0	-8000	-1000	0	-8000	-1000	2	800	1
25	0	-8000	-1000	0	-8000	-1000	2	800	1
26	0	-8000	-1000	0	-8000	-1000	2	800	1
27	0	-8000	-1000	0	-8000	-1000	2	800	1
28	0	-8000	-1000	0	-8000	-1000	2	800	1
29	0	-8000	-1000	0	-8000	-1000	2	800	1
30	0	-8000	-1000	0	-8000	-1000	2	800	1
31	0	-8000	-1000	0	-8000	-1000	2	800	1
32	0	-8000	-1000	0	-8000	-1000	2	800	1
33	0	-8000	-1000	0	-8000	-1000	2	800	1
34	0	-8000	-1000	0	-8000	-1000	2	800	1
35	0	-8000	-1000	0	-8000	-1000	2	800	1
36	0	-8000	-1000	0	-8000	-1000	2	800	1
37	0	-8000	-1000	0	-8000	-1000	2	800	1
38	0	-8000	-1000	0	-8000	-1000	2	800	1
39	0	-8000	-1000	0	-8000	-1000	2	800	1
40	0	-8000	-1000	0	-8000	-1000	2	800	1
41	0	-8000	-1000	0	-8000	-1000	2	800	1
42	0	-8000	-1000	0	-8000	-1000	2	800	1
43	0	-8000	-1000	0	-8000	-1000	2	800	1
44	0	-8000	-1000	0	-8000	-1000	2	800	1
45	0	-8000	-1000	0	-8000	-1000	2	800	1
46	0	-8000	-1000	0	-8000	-1000	2	800	1
47	0	-8000	-1000	0	-8000	-1000	2	800	1
48	0	-8000	-1000	0	-8000	-1000	2	800	1
49	0	-8000	-1000	0	-8000	-1000	2	800	1
50	0	-8000	-1000	0	-8000	-1000	2	800	1
51	0	-8000	-1000	0	-8000	-1000	2	800	1
52	0	-8000	-1000	0	-8000	-1000	2	800	1
53	0	-8000	-1000	0	-8000	-1000	2	800	1
54	0	-8000	-1000	0	-8000	-1000	2	800	1
55	0	-8000	-1000	0	-8000	-1000	2	800	1
56	0	-8000	-1000	0	-8000	-1000	2	800	1
57	0	-8000	-1000	0	-8000	-1000	2	800	1
58	0	-8000	-1000	0	-8000	-1000	2	800	1
59	0	-8000	-1000	0	-8000	-1000	2	800	1
60	0	-8000	-1000	0	-8000	-1000	2	800	1
61	0	-8000	-1000	0	-8000	-1000	2	800	1
62	0	-8000	-1000	0	-8000	-1000	2	800	1

2	B	Measurements added	23/03/10
1	A	Approved For Construction	18/1/09
Rev. no.	Rev. Mark	Description	Rev. Date

HOLLANDIA

Hollandia b.v.
P.O. Box 12
2920 AA Krimpden afd IJssel
Phone: +31 (0) 180 - 540 540
Fax: +31 (0) 180 - 519 808
Email: info@hollandia.nl

No part of this drawing may be reproduced in any form by print, photocopy, internet or used in any way without written permission from Hollandia b.v.

Proj. No. **33256** DRG. No. **S1-65-001** RV **B**

Client: **Hollandia**

Project: **Ostre-Tangent Bridge NLI**

Title: **Section 1 Measurement Drawing**

Scale: **1:20**

Proj. No. **33256** DRG. No. **S1-65-001** RV **B**

Drawn by: **18/11/09 JOD** Scale: **1:20**

Checked: **18/11/09 TER** Format: **A0** Sheets: **1**