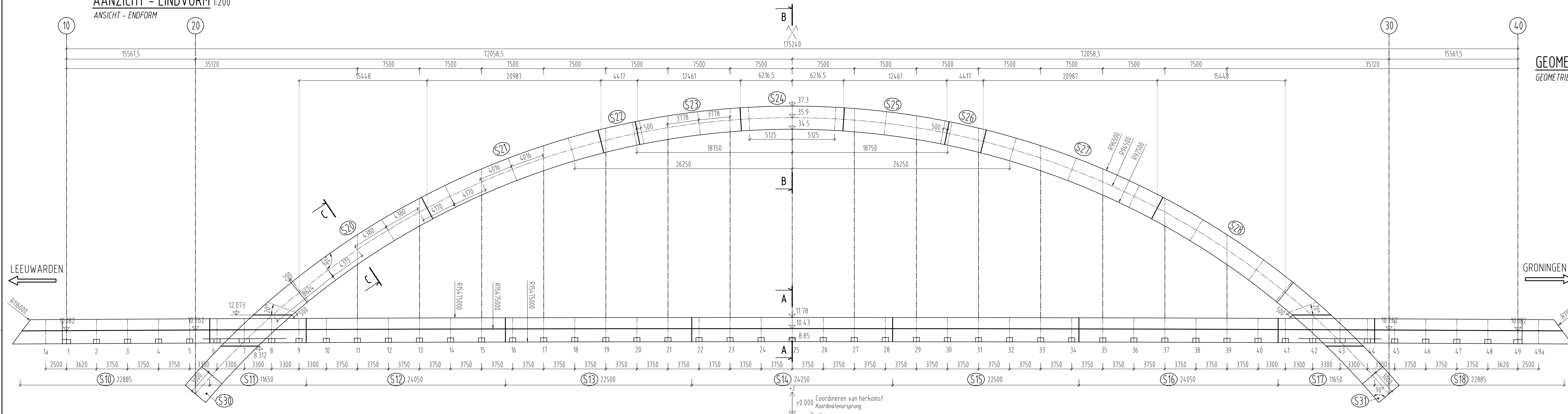


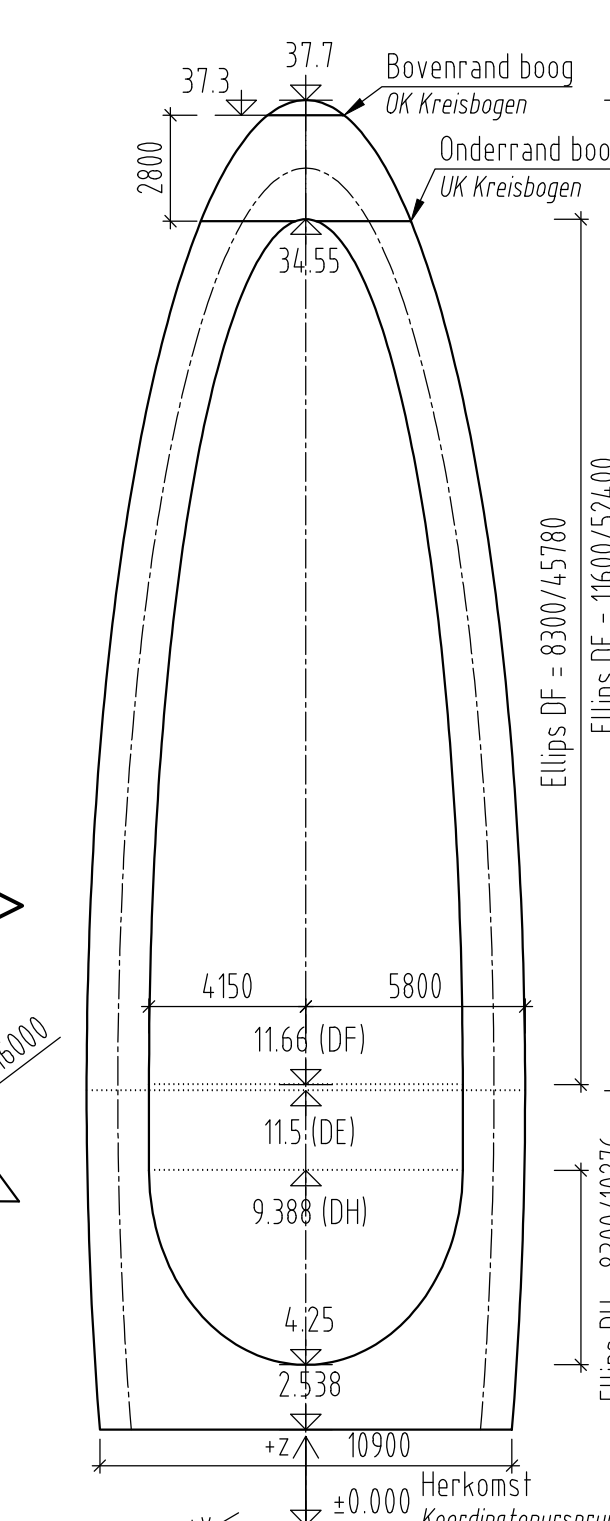
AANZICHT - EINDVORM 1:200

ANSICHT - ENDFORM



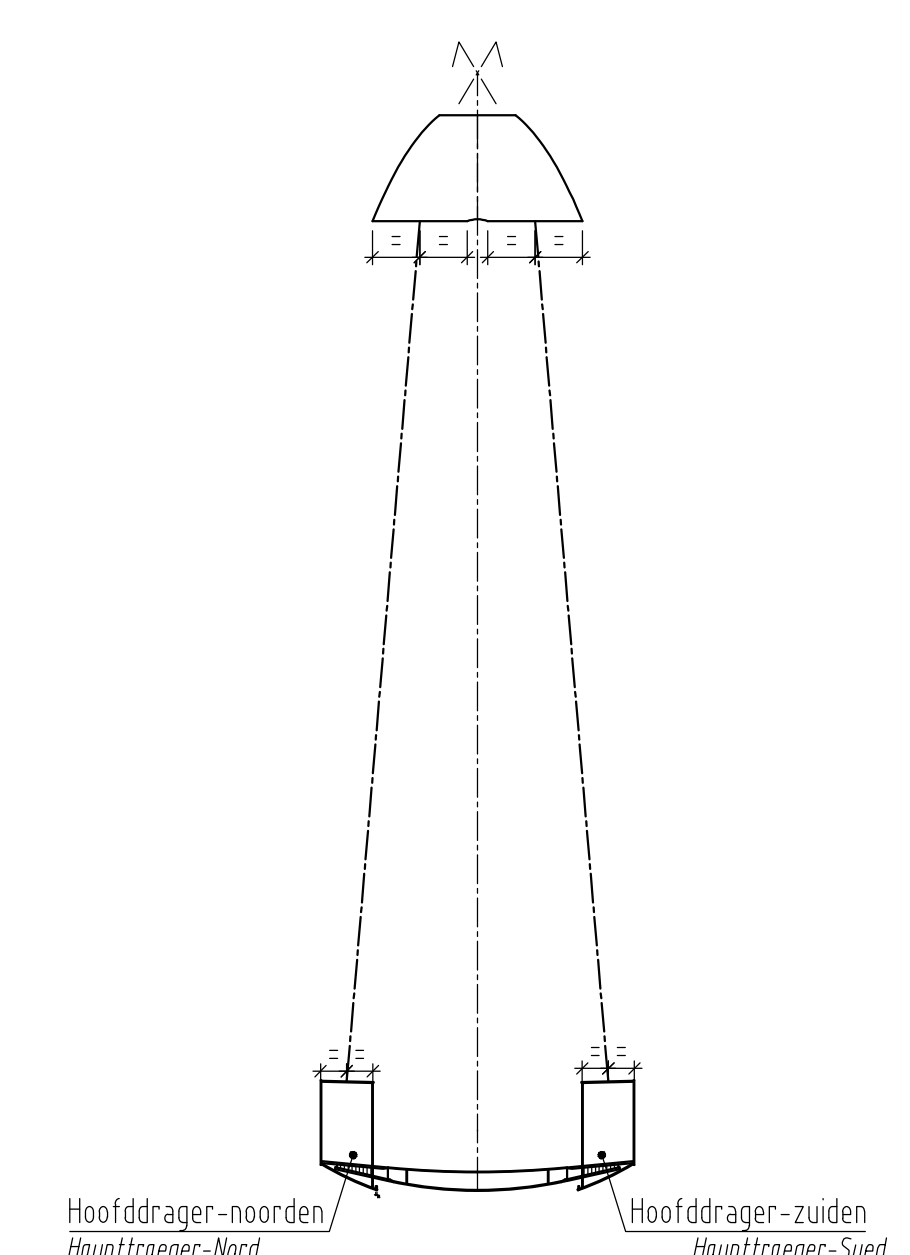
GEOMETRIE VAN ELLIPSEN - EINDVORM 1:200

GEOMETRIE DER ELLIPSEN - ENDFORM



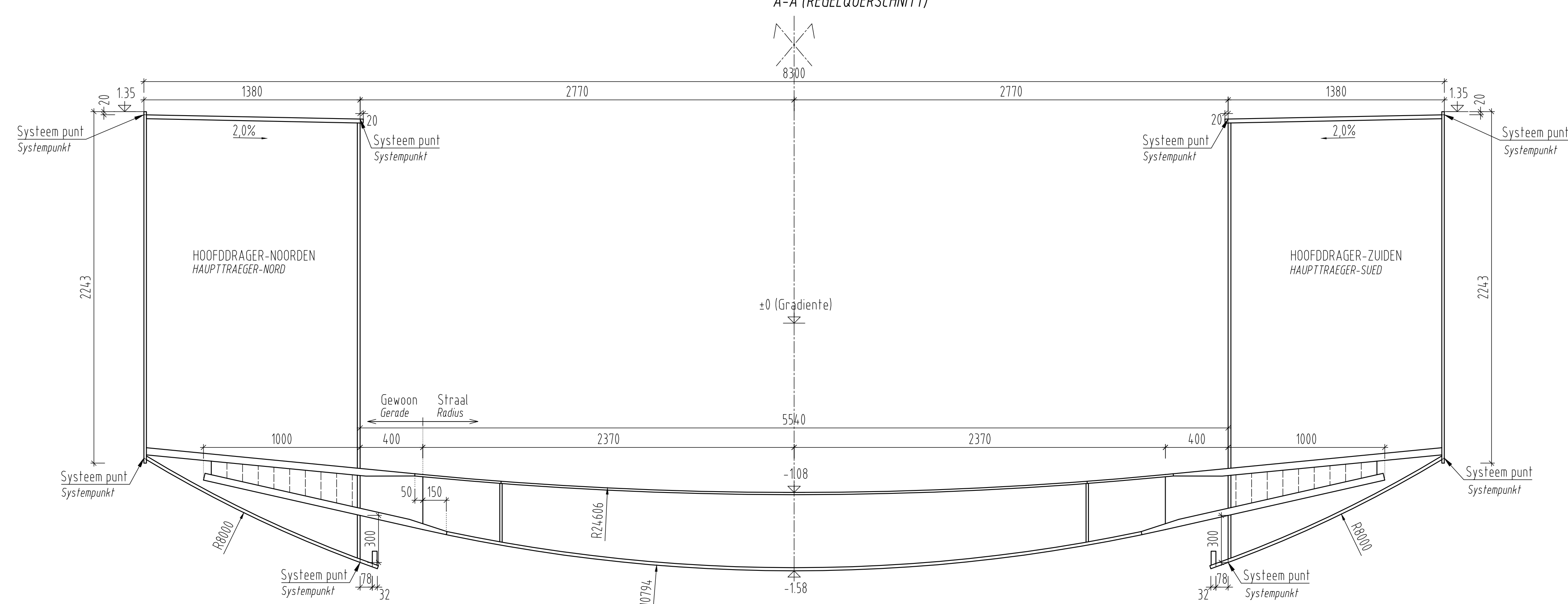
BEGINSEL VAN DE HANGER 1:200

PRINZIP DER HAENGER

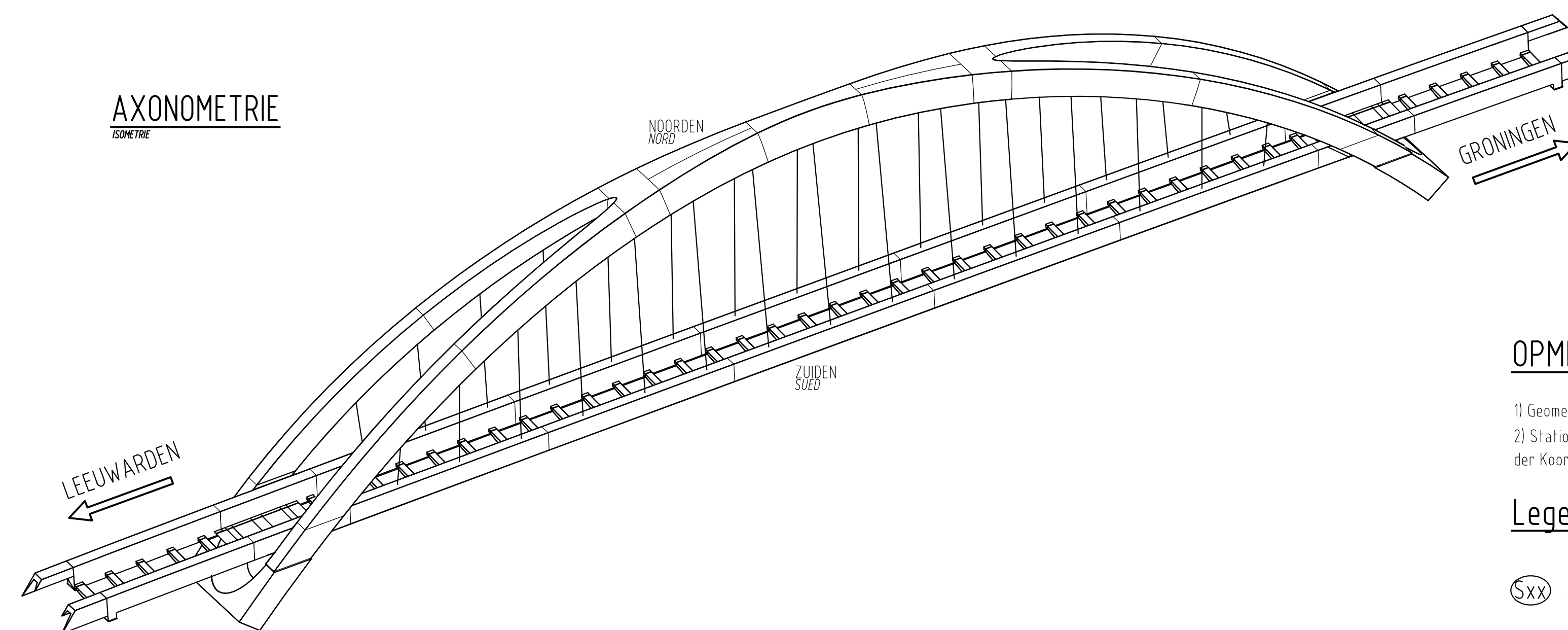


A-A (STANDAARD DOORSNEDE) 1:20

A-A (REGELQUERSCHNITT)



AXONOMETRIE



OPMERKINGEN (BEMERKUNGEN):

- 1) Geometrie van de brug is in definitieve vorm. (Geometrie der Brücke ist in Endform dargestellt.)
- 2) Station en de werving van de coördineren van herkomst gemeten. (Station und Überhöhungen von der Koordinatensprung gemessen.)

Legenda (Legende):

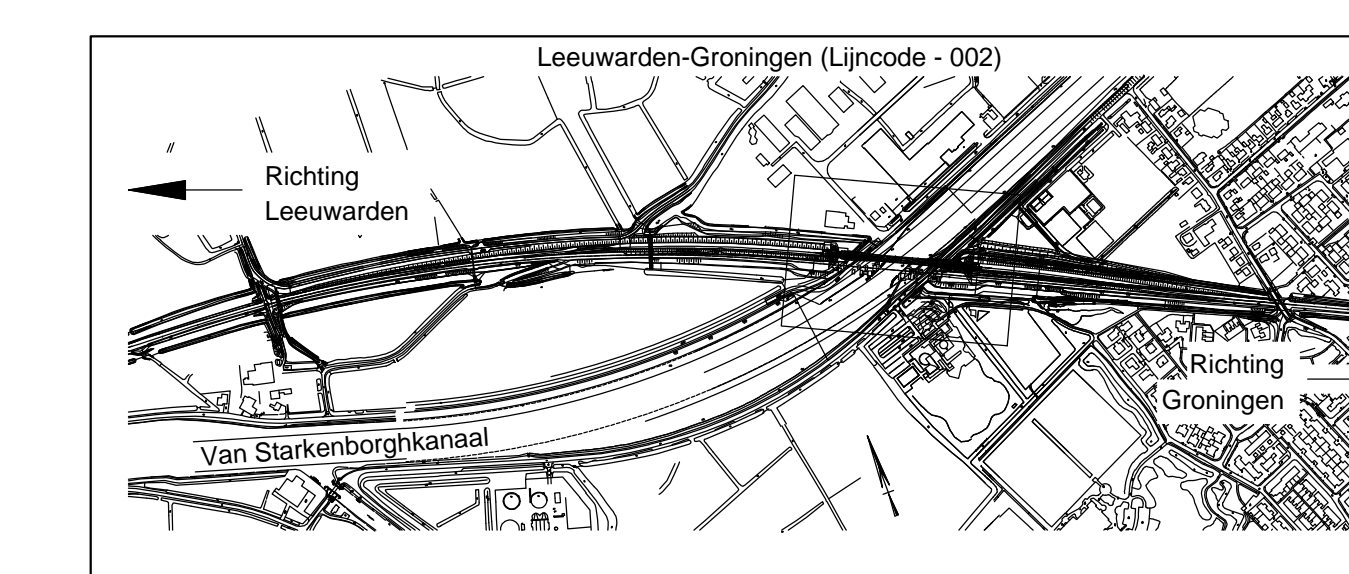
⊗xx - schot (Schuss)

De werving van hoofdrager (Überhöhung des Hauptträgers)

Station (Station)	x	y	z
As (Achsel) 10	-87620.000000	0.000000	0.000000
	-84000.000000	0.000000	37.500000
	-80250.000000	0.000000	69.800000
	-76500.000000	0.000000	96.600000
	-72750.000000	0.000000	118.800000
Interface (Schnittstelle) S10-S11	-70325.000000	0.000000	129.800000
	-70325.000000	0.000000	125.600000
	-69450.000000	0.000000	130.322200
	-66150.000000	0.000000	145.913300
	-62850.000000	0.000000	158.571300
	-59550.000000	0.000000	168.984600
	-56250.000000	0.000000	176.961500
	-52500.000000	0.000000	184.165300
	-48750.000000	0.000000	189.527700
	-45000.000000	0.000000	193.145300
	-41250.000000	0.000000	195.924500
	-37500.000000	0.000000	197.734900
	-33750.000000	0.000000	199.752100
	-30000.000000	0.000000	201.889600
	-26250.000000	0.000000	203.818800
	-22500.000000	0.000000	204.991800
	-18750.000000	0.000000	205.725100
	-15000.000000	0.000000	205.743700
	-11250.000000	0.000000	205.985800
	-7500.000000	0.000000	206.700800
	-3750.000000	0.000000	207.329100
Middelpunt (Mittel)	0.000000	0.000000	207.442800
	3750.000000	0.000000	207.329100
	7500.000000	0.000000	206.700800
	11250.000000	0.000000	205.985800
	15000.000000	0.000000	205.743700
	18750.000000	0.000000	205.725100
	22500.000000	0.000000	204.991800
	26250.000000	0.000000	203.818800
	30000.000000	0.000000	201.889600
	33750.000000	0.000000	199.752100
	37500.000000	0.000000	197.735000
	41250.000000	0.000000	195.924500
	45000.000000	0.000000	193.145400
	48750.000000	0.000000	189.527700
	52500.000000	0.000000	184.165300
	56250.000000	0.000000	176.961500
	59550.000000	0.000000	168.984600
	62850.000000	0.000000	158.571300
	66150.000000	0.000000	145.913300
	69450.000000	0.000000	130.322200
	72750.000000	0.000000	118.800000
	76500.000000	0.000000	96.600000
	80250.000000	0.000000	69.800000
	84000.000000	0.000000	37.500000
As (Achsel) 40	87620.000000	0.000000	0.000000

De werving van boog (Überhöhung des Bogens)

Station (Station)	x	y	z
As (Achsel) 20	-72058.500000	0.000000	0.000000
	-69450.000000	0.000000	3.900000
Interface (Schnittstelle) S30-S31	-66731.000000	0.000000	7.900000
	-66731.000000	0.000000	14.790000
	-66150.000000	0.000000	150.479400
	-62850.000000	0.000000	163.113000
	-59550.000000	-5.966500	175.697700
	-56250.000000	-13.098700	186.164700
	-52500.000000	-18.780000	195.707100
	-48750.000000	-22.186600	202.784200
	-45000.000000	-24.136500	208.335200
	-41250.000000	-24.988600	212.454000
	-37500.000000	-25.362200	215.113000
	-33750.000000	-25.362200	216.161000
	-30000.000000	-25.000000	216.307100
	-26250.000000	-24.366600	215.666600
	-22500.000000	-23.585200	214.288900
	-18750.000000	-22.704000	212.212100
	-15000.000000	-21.722600	209.636400
	-11250.000000	-20.651300	206.660200
	-7500.000000	-19.500000	203.500000
	-3750.000000	-18.268700	200.268700
Middelpunt (Mittel)	0.000000	0.000000	200.000000
	3750.000000	18.268700	200.268700
	7500.000000	19.500000	203.500000
	11250.000000	20.651300	206.660200
	15000.000000	21.722600	209.636400
	18750.000000	22.704000	212.212100
	22500.000000	23.585200	214.288900
	26250.000000	24.366600	215.666600
	30000.000000	25.000000	216.307100
	33750.000000	25.362200	216.161000
	37500.000000	25.362200	215.113000
	41250.000000	24.988600	212.454000
	45000.000000	24.136500	208.335200
	48750.000000	22.704000	202.784200
	52500.000000	18.780000	195.707100
	56250.000000	13.098700	186.164700
	59550.000000	5.966500	175.697700
	62850.000000	0.000000	163.113000
	66150.000000	0.000000	150.479400
Interface (Schnittstelle) S31-S32	66731.000000	0.000000	14.790000
	66731.000000	0.000000	7.900000
	69450.000000	0.000000	3.900000
As (Achsel) 30	72058.500000	0.000000	0.000000



Revisie	Status	Datum	Omschrijving	Tekenaar	Par.	Gecont.	Par.
A	3	19.7.2016	Eerste uitgave	T.Petrik		L.Krikan	

ProRail
 Project: **ZUIDHORN Spoorbrug van Starckenborghkanaal**
 Omschrijving: **Geometrietekening - Bovenbouw Staalconstructie**
 Schaal: 1:200 / 50 / 20 / 10
 Formaat: A0
 Vervolg: Bladz.

Vrijgave: Max Bof
 L. van der Steen
 Datum: 19.7.2016
 File: **Uitvoeringsontwerp**
 Status: **A - 3**