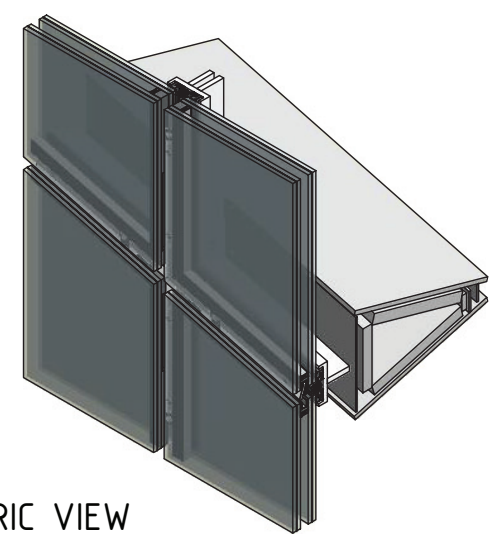


TYPICAL SECTION GLASS CARRIER FACADE



ISOMETRIC VIEW

DETAIL 01

STATUS AS BUILT DWG NO. D10001 PROJECT NO. 07338	LINK BACKSIDE: AREA 1 (E1/E2), DETAIL 01 V-BEAM AND GLASS CARRIER FACADE	TITLE
	THE SAMMY OFER CENTRE LONDON	PROJECT
		ROTTERDAMSEWEG 200 2628 AS DELFT THE NETHERLANDS T + 31 (0)15-7890000 F + 31 (0)15-2622300 E INFO@OCTATUBE.NL I WWW.OCTATUBE.NL
		AS BUILT