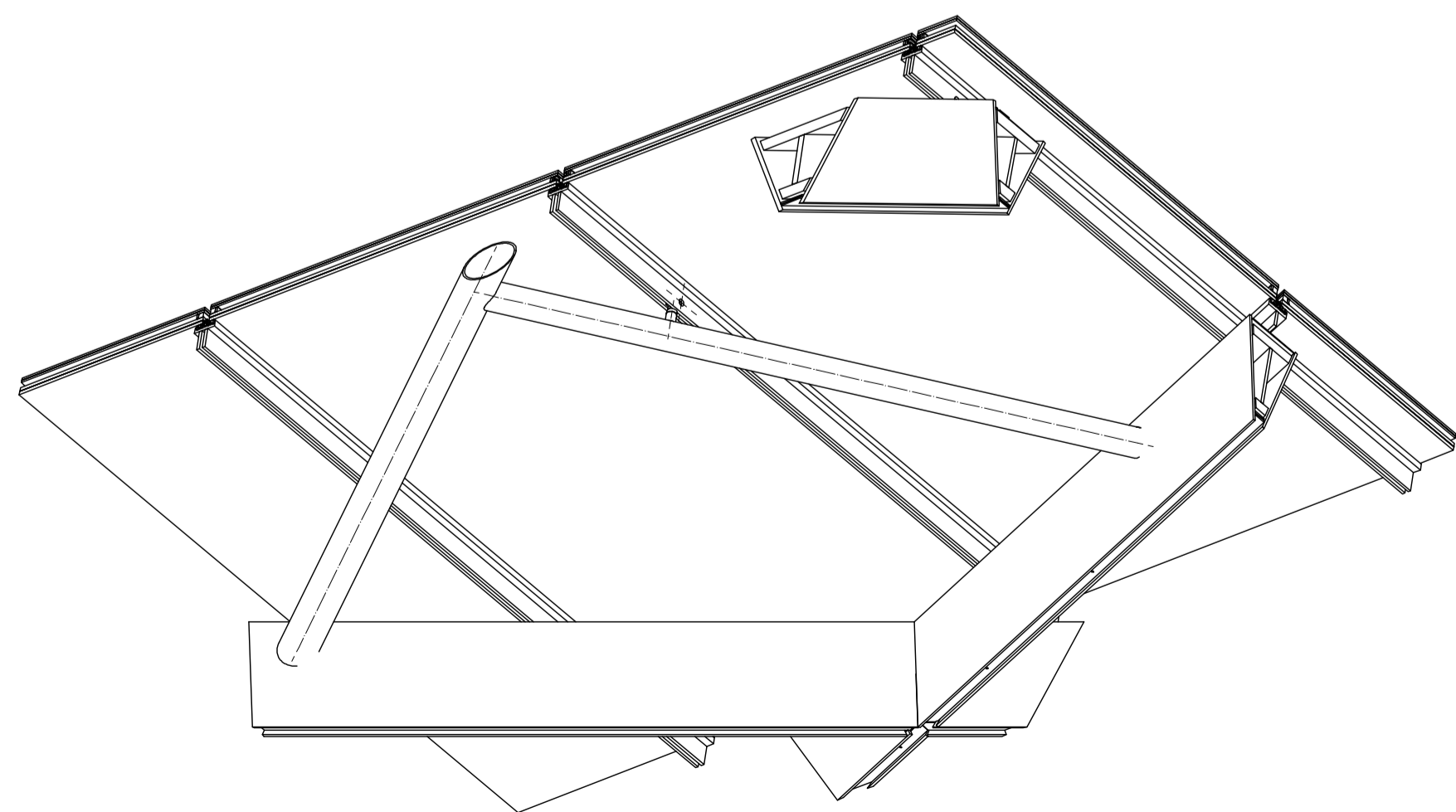
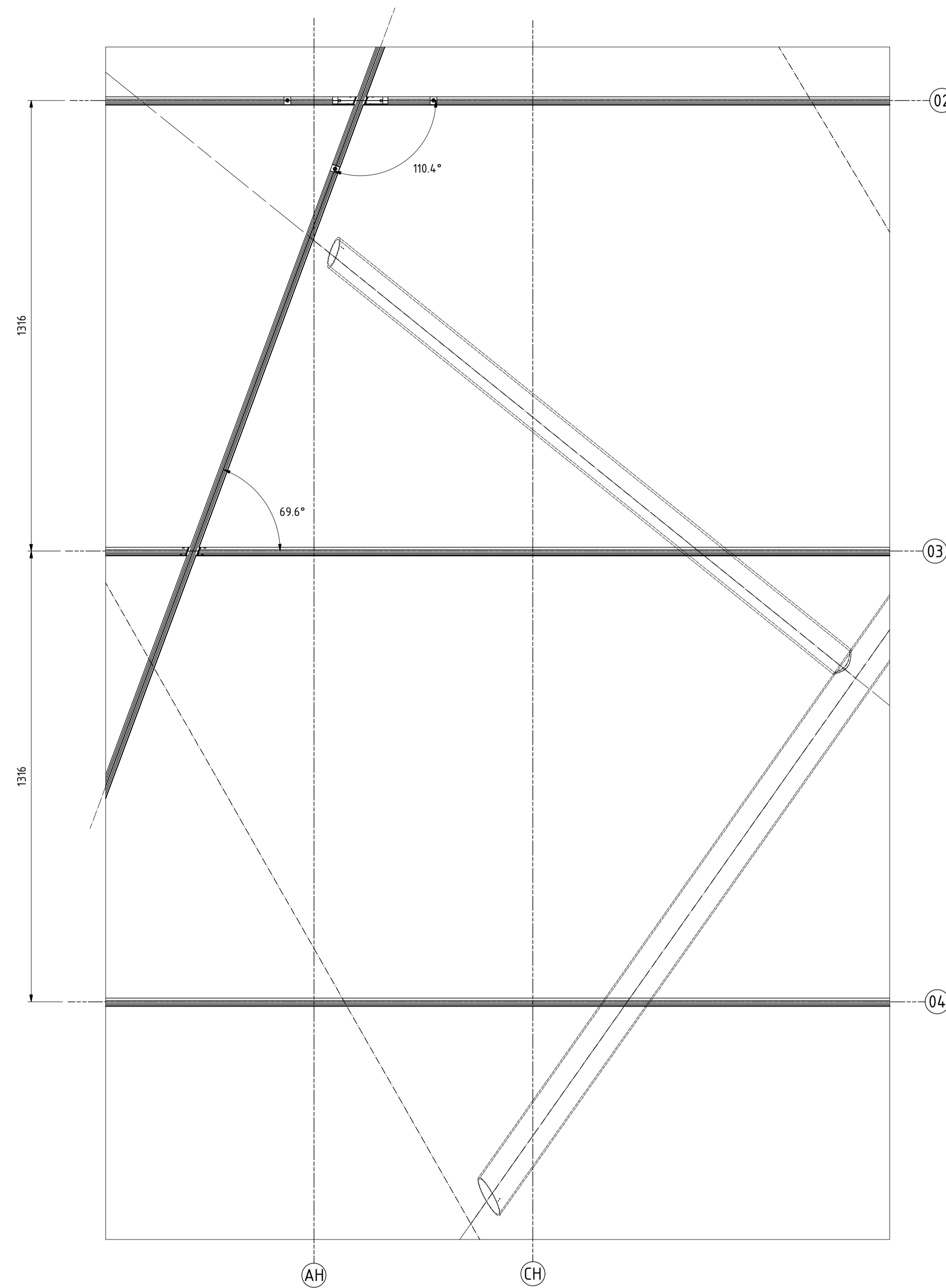


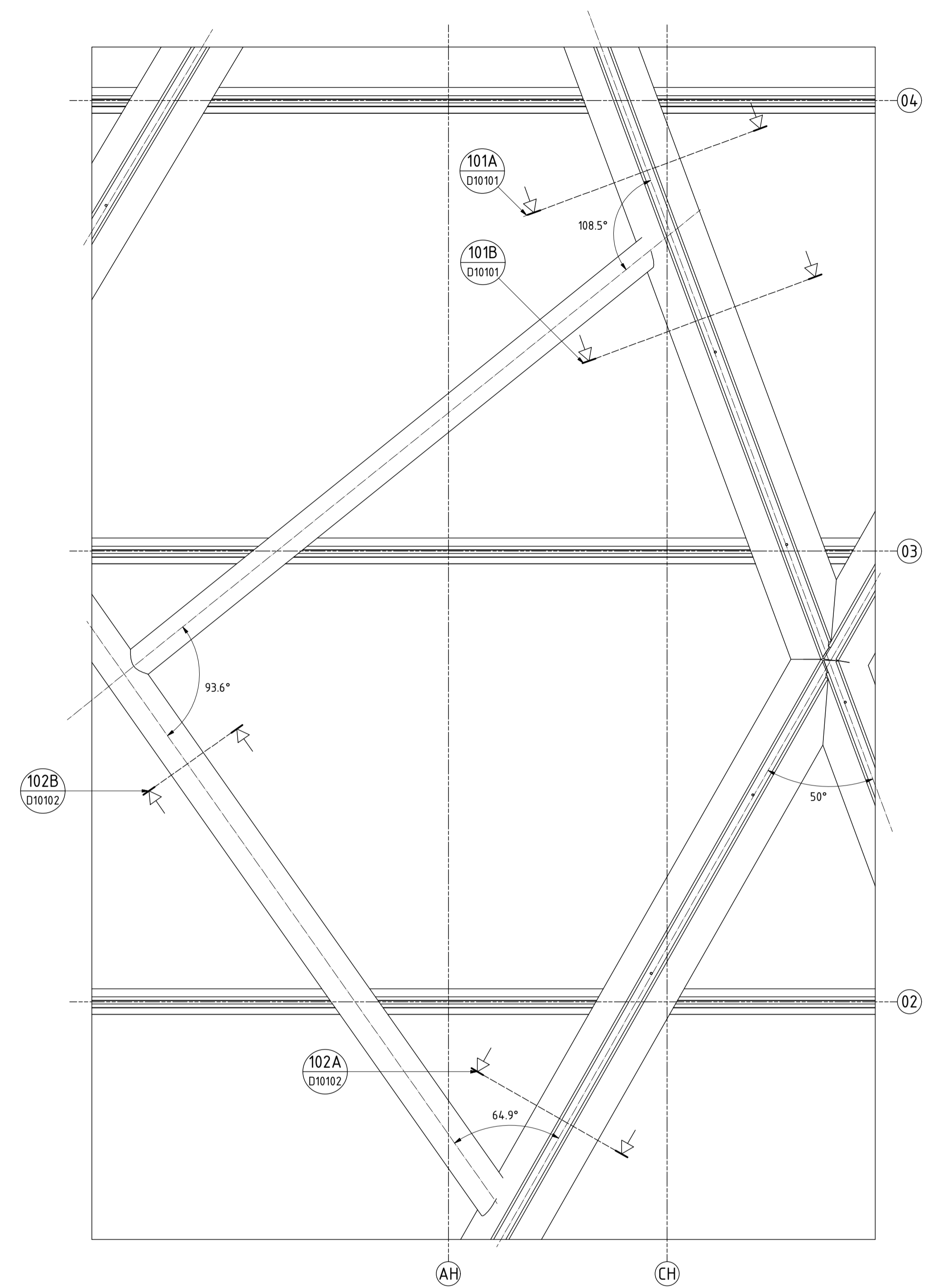
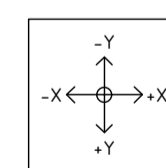
ISOMETRIC VIEW - FROM OUTSIDE



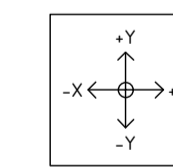
ISOMETRIC VIEW - FROM INSIDE



FRAGMENT 01



FRAGMENT 01 - VIEW FROM INSIDE



STATUS AS BUILT	LINK: AREA 1 (E1/E2) FRONTSIDE FRAGMENT 01 - ROOF	TITLE	DATE	APR
DWG NO. A10102	THE SAMMY OFER CENTRE LONDON	PROJECT		
PROJECT NO. 07338				
SIZE A1 SCALE 1:50	octatube ENGINEERING B.V.	ROTTERDAMSEWEG 200 2628 AS DELFT THE NETHERLANDS	T + 31 (0)15-2622300 F + 31 (0)15-2622300 E INFO@OCTATUBE.NL I WWW.OCTATUBE.NL	AS BUILT