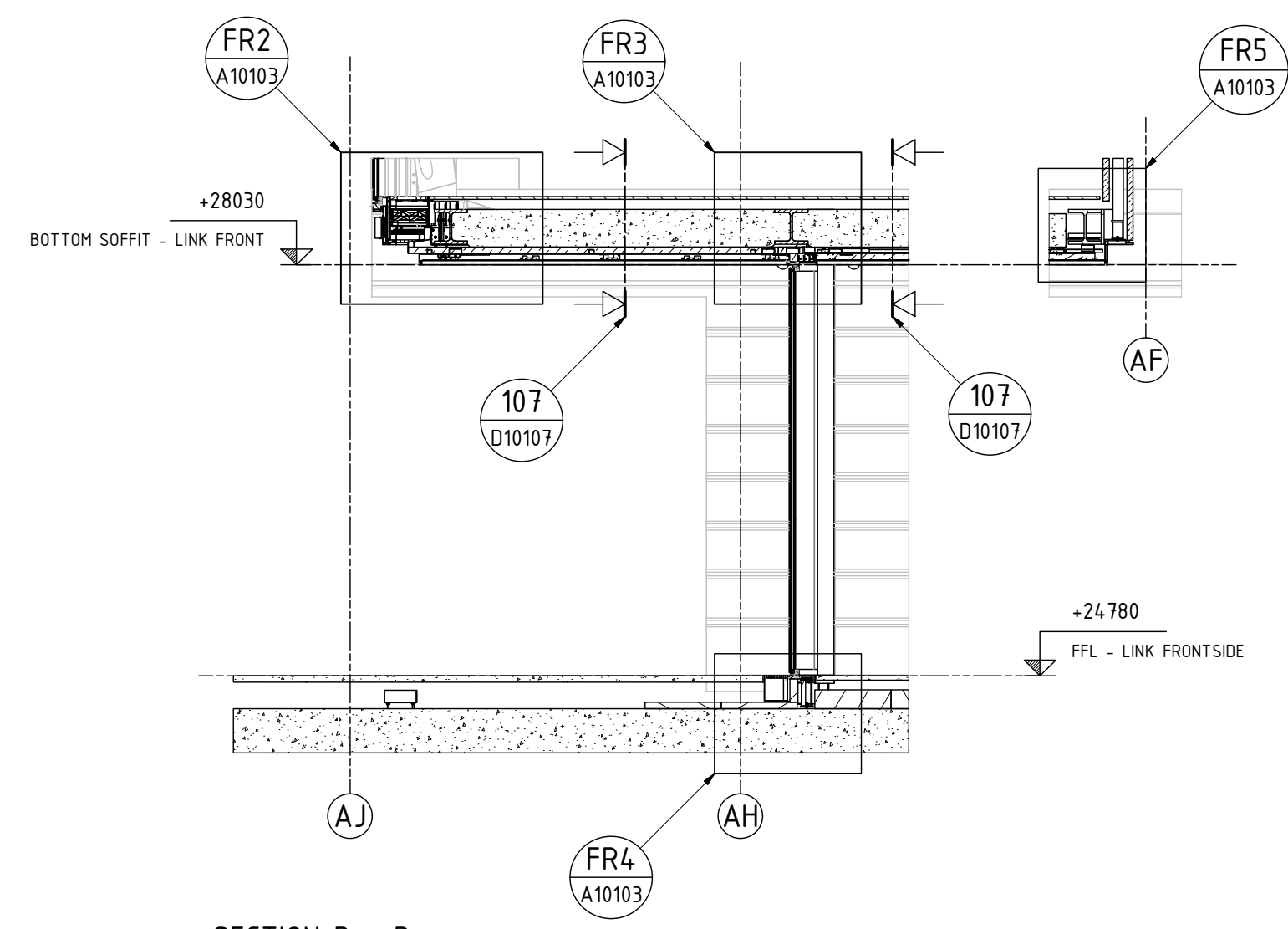
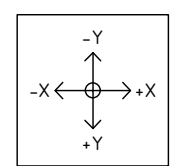
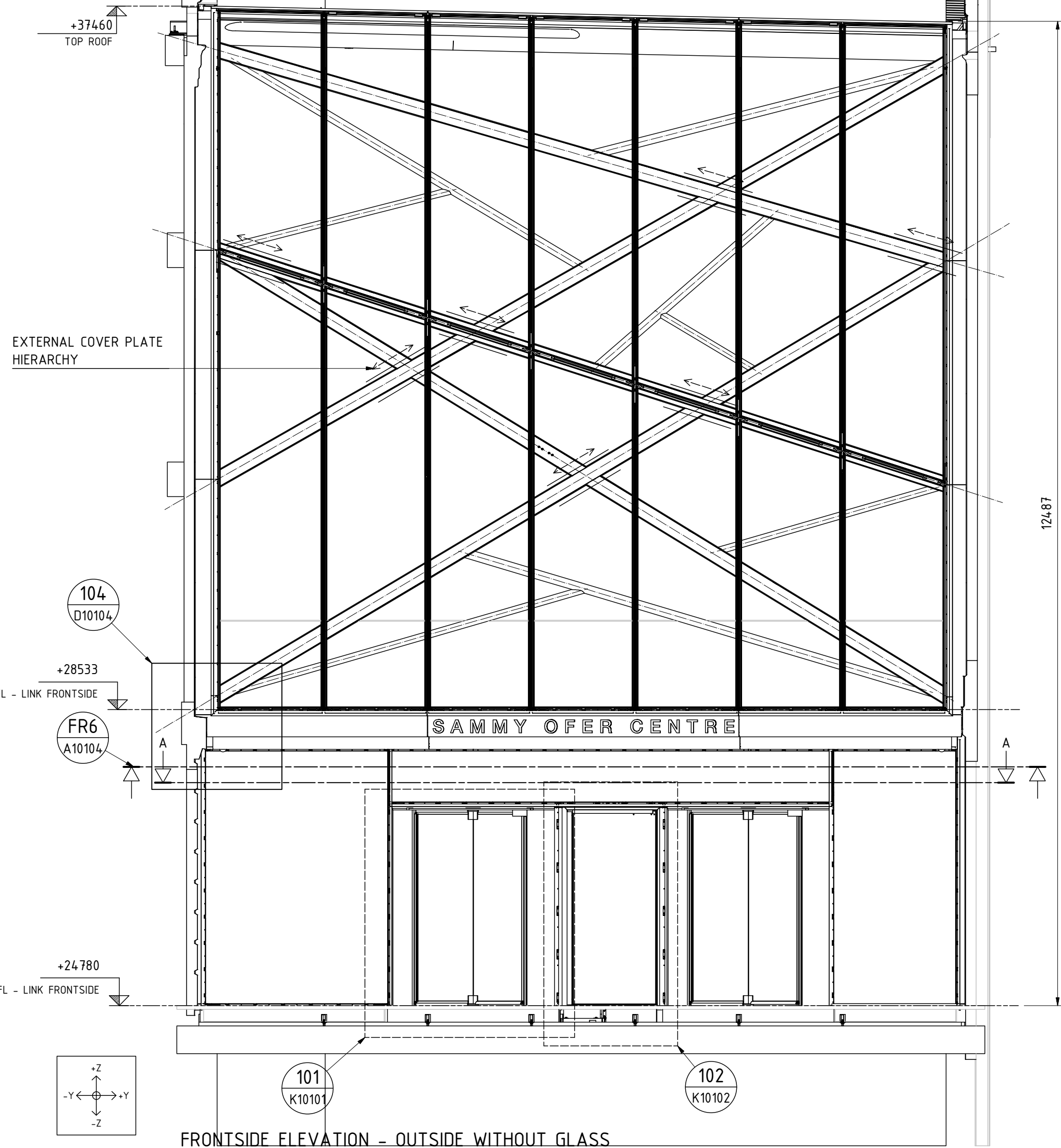
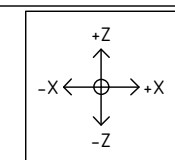


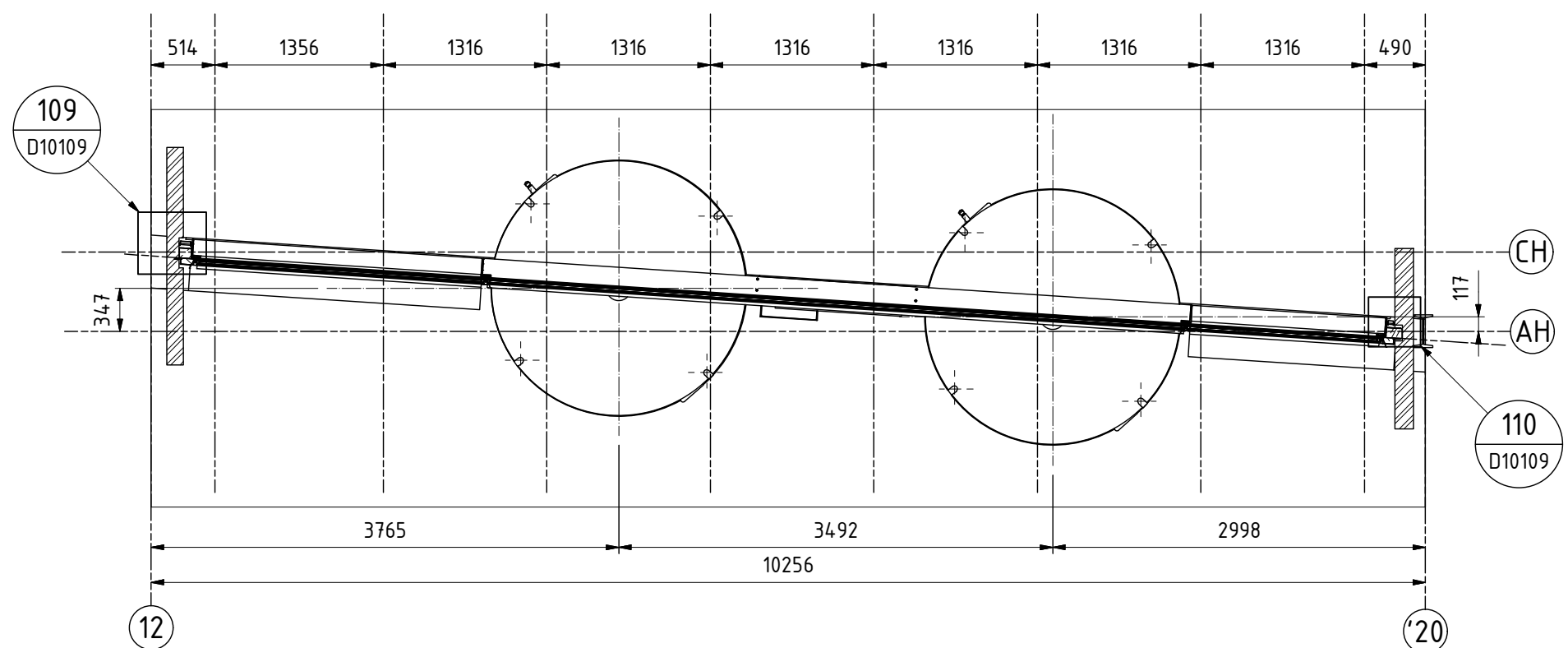
ROOF PLAN



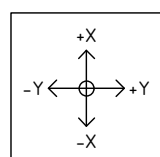
SECTION B - B



FRONTSIDE ELEVATION - OUTSIDE WITHOUT GLASS



SECTION A - A



STATUS AS BUILT	LINK: AREA 1 (E1/E2) FRONTSIDE OVERVIEW	TITLE	DATE	APR
DWG NO. A10101	THE SAMMY OFER CENTRE LONDON	PROJECT		
PROJECT NO. 07338				
SIZE A1	octatube ENGINEERING B.V.	ROTTERDAMSEWEG 200 2628 AS DELFT THE NETHERLANDS	T + 31 (0)15-7890000 F + 31 (0)15-7622300 E INFO@OCTATUBE.NL I WWW.OCTATUBE.NL	AS BUILT

NO PART OF THIS DRAWING MAY BE REPRODUCED IN ANY FORM BY PRINT, PHOTOGRAPH OR ANY MEANS WITHOUT WRITTEN PERMISSION FROM OCTATUBE ENGINEERING B.V.