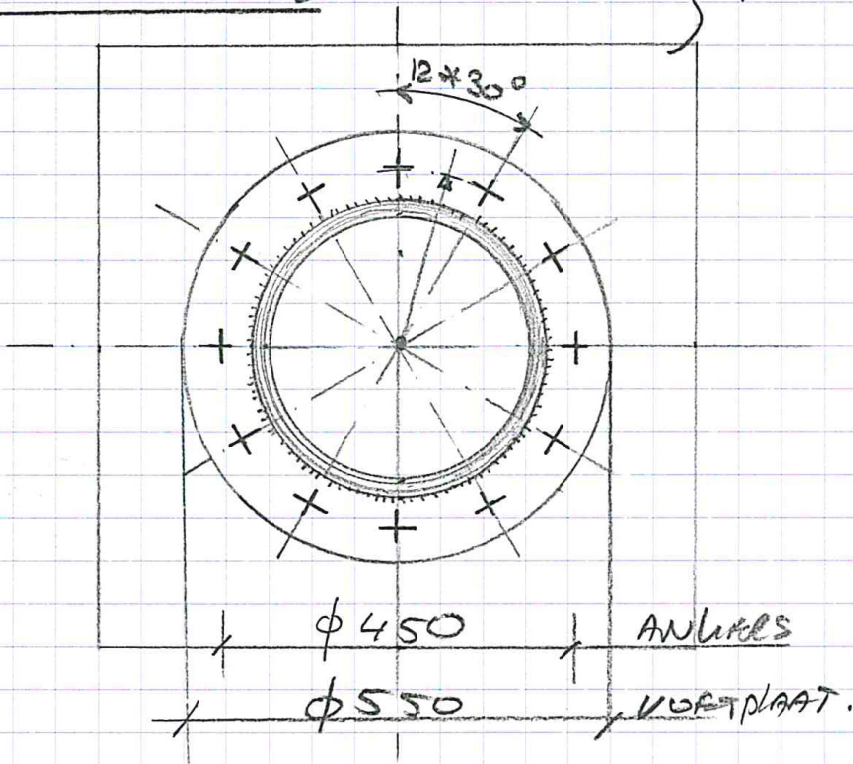


VOETPLAAT kolom $\phi 355^6 \times 20$ (S'355J0)

AS'PC + lm PL.

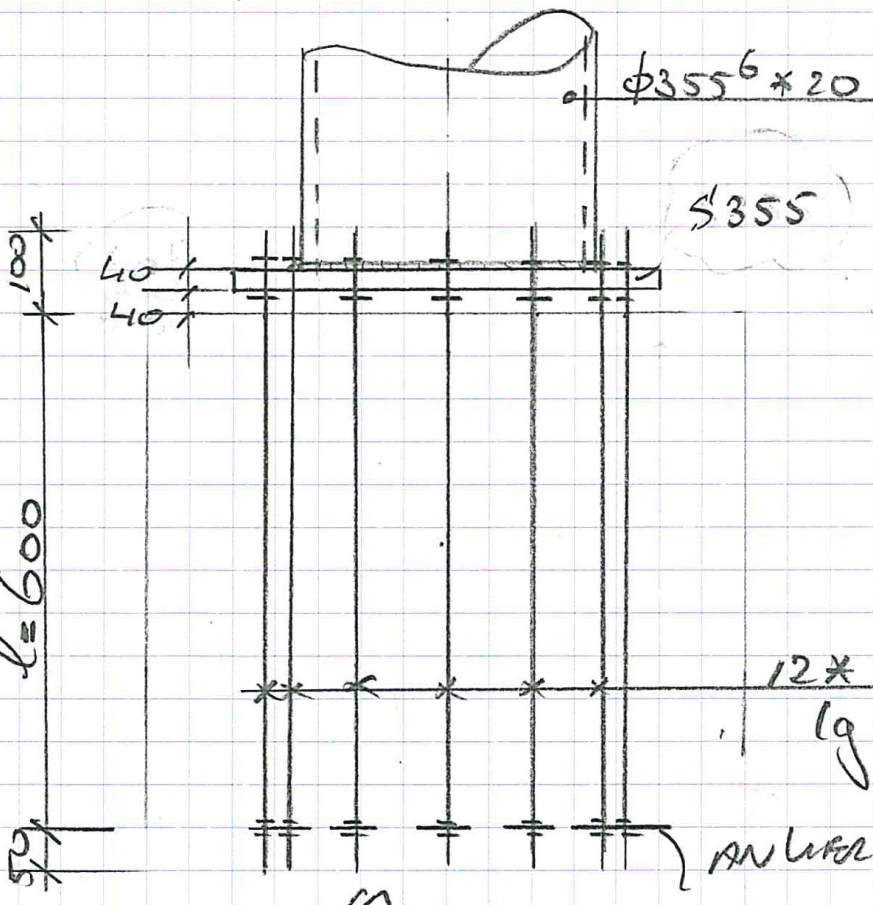
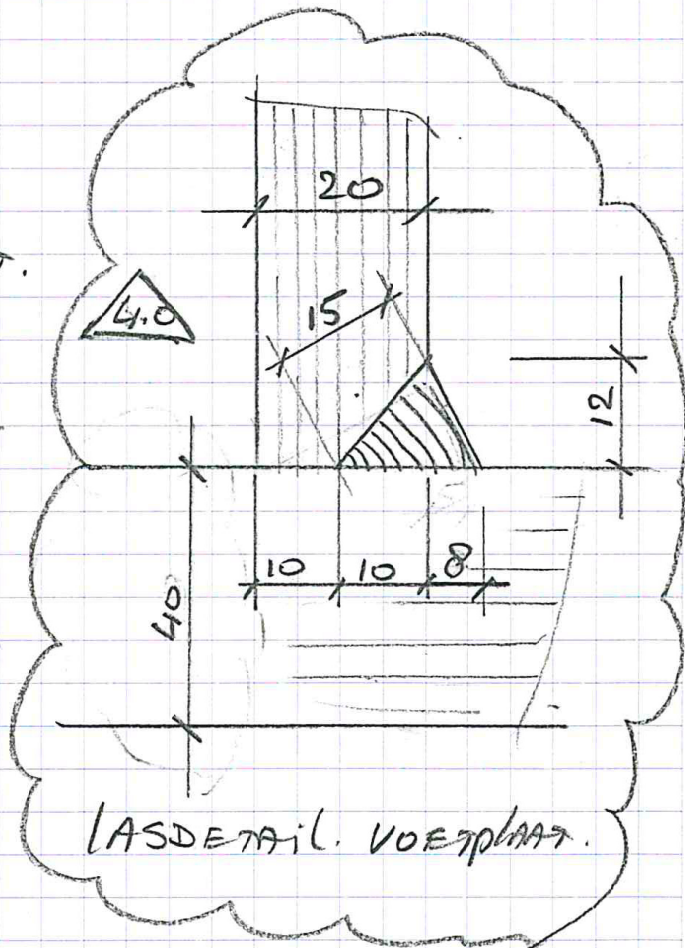
POER $\phi 700$.



$$A_{C1} = 700 \times 700 = 490000 \text{ mm}^2$$

$$A_{C0} = 630 \times 630 = 396900 \text{ mm}^2$$

$$\sqrt{\frac{A_{C1}}{A_{C0}}} = \frac{490000}{396900} = 1,12$$



12 x ANLIER 1720 ϕ -8
 $l_g = 750 \text{ mm}$

ANLIERPLAAT 100 x 100 x 10.