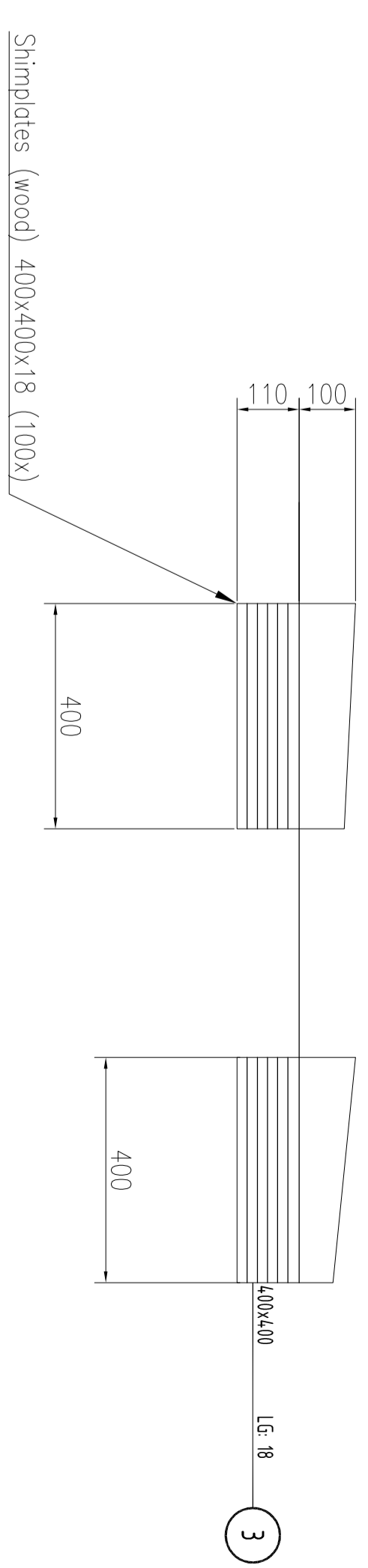
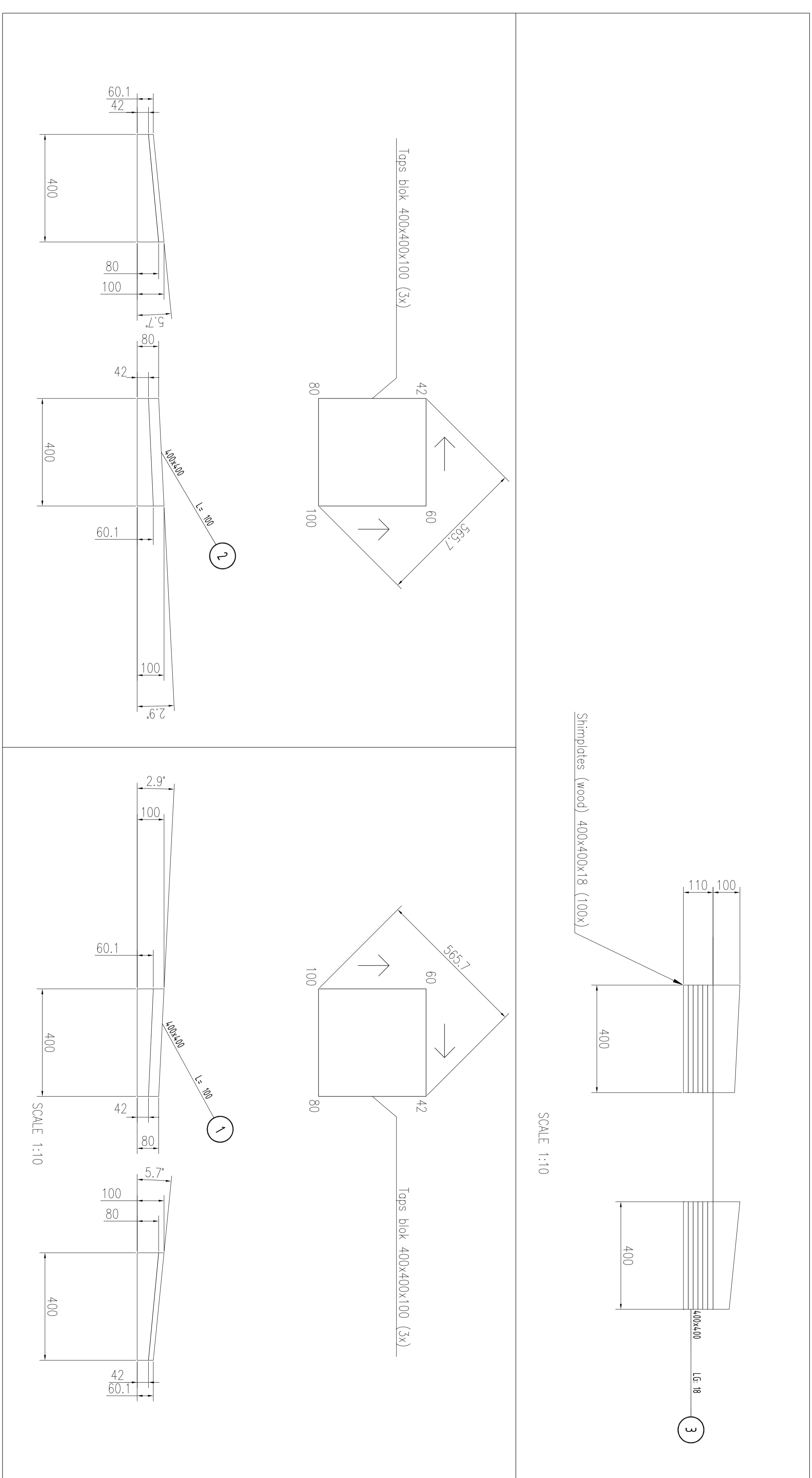


REV	POS	NOS	Profile	Description	Material	1st	2nd
1	3	100x100	300x300x10	Angle steel	MS	X	
2	3	100x100	300x300x10	Angle steel	MS	X	
3	3	100x100	300x300x10	Angle steel	MS	X	
4	3	100x100	300x300x10	Angle steel	MS	X	
5	3	100x100	300x300x10	Angle steel	MS	X	
6	3	100x100	300x300x10	Angle steel	MS	X	

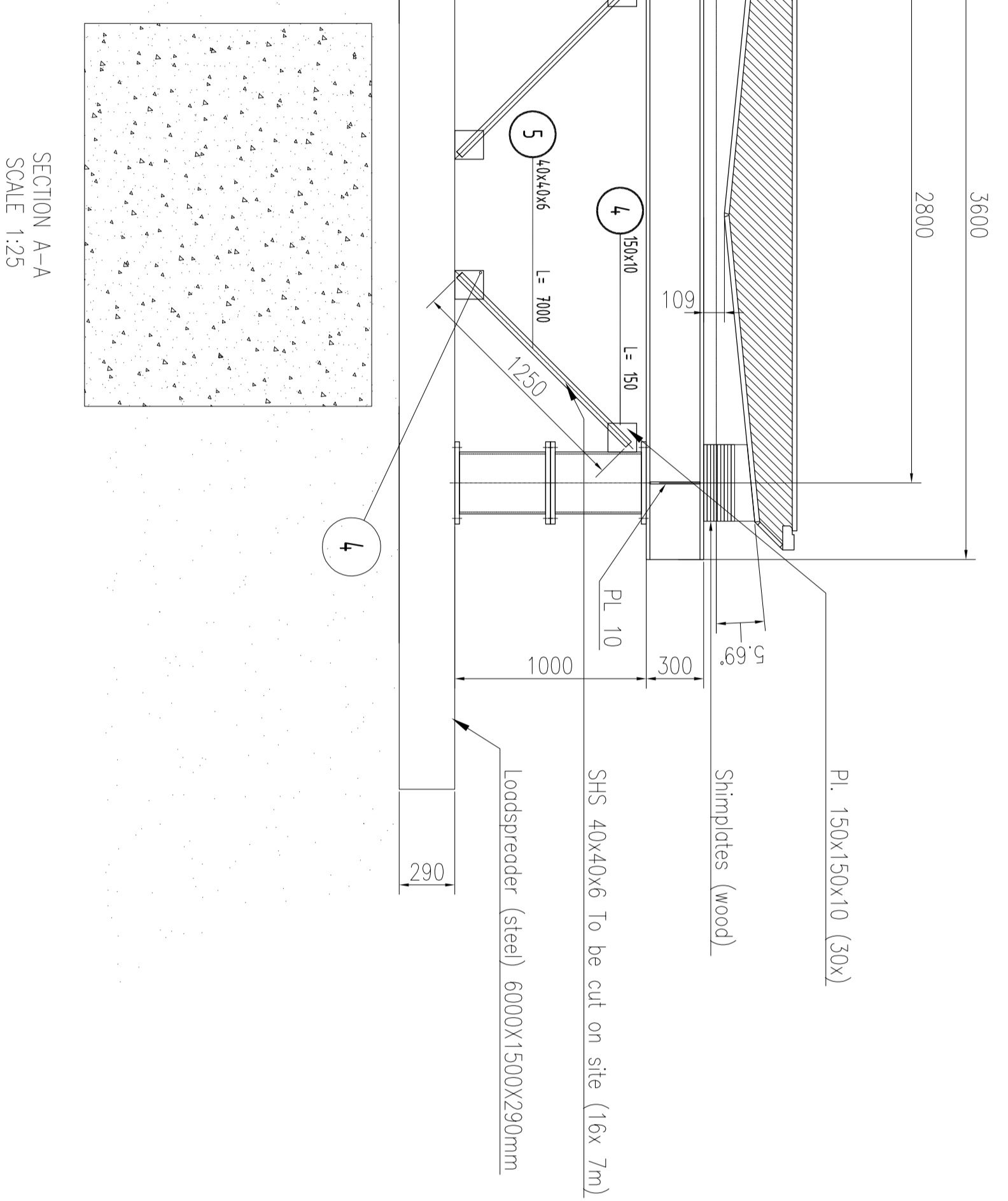
DRAWING PART LIST



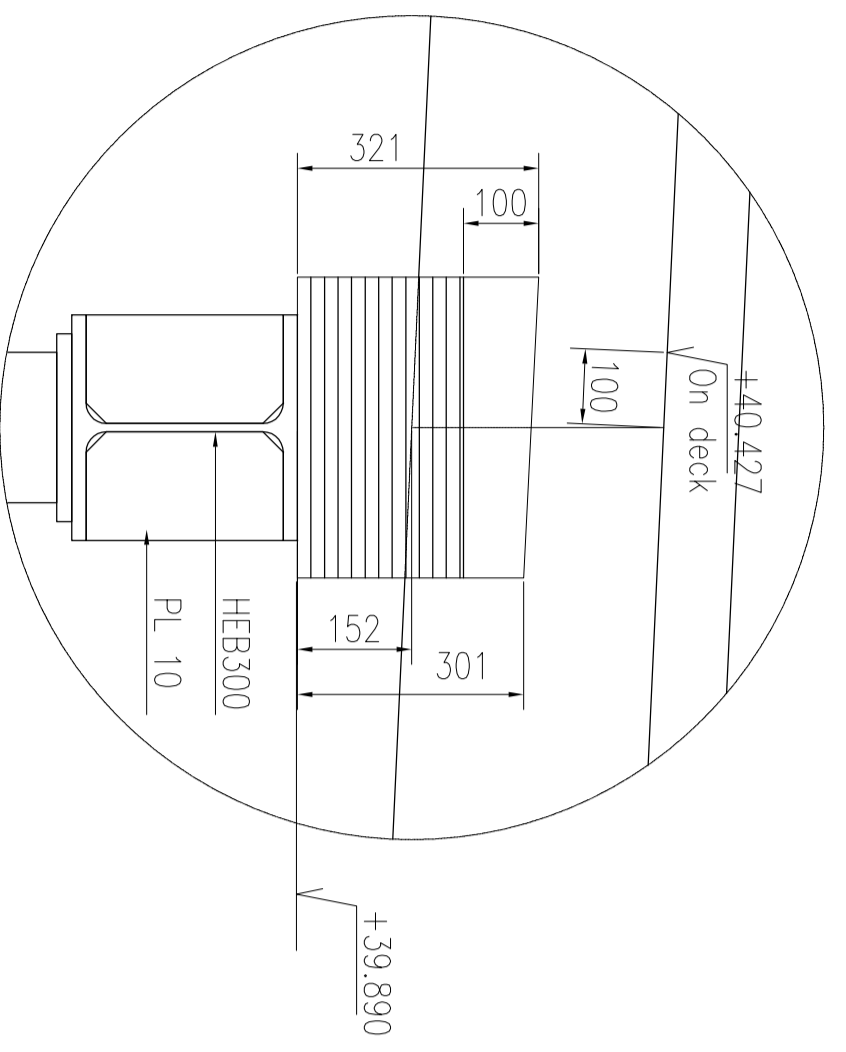
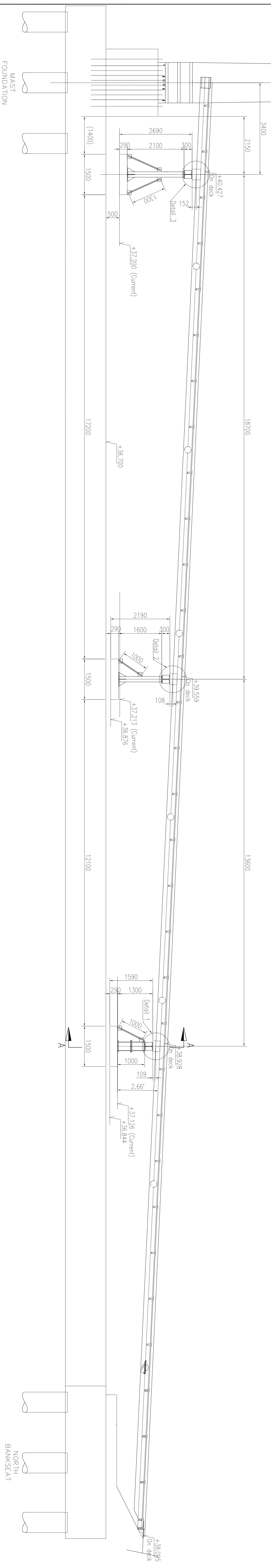
SCALE 1:10



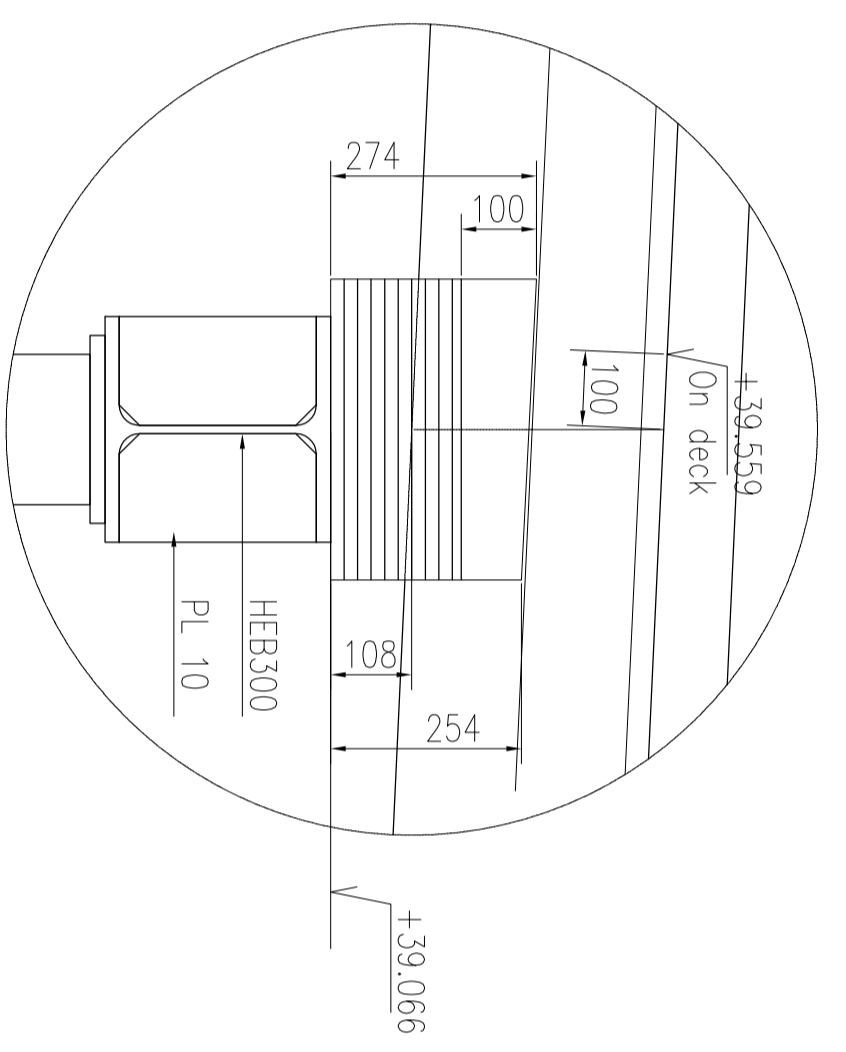
SCALE 1:10



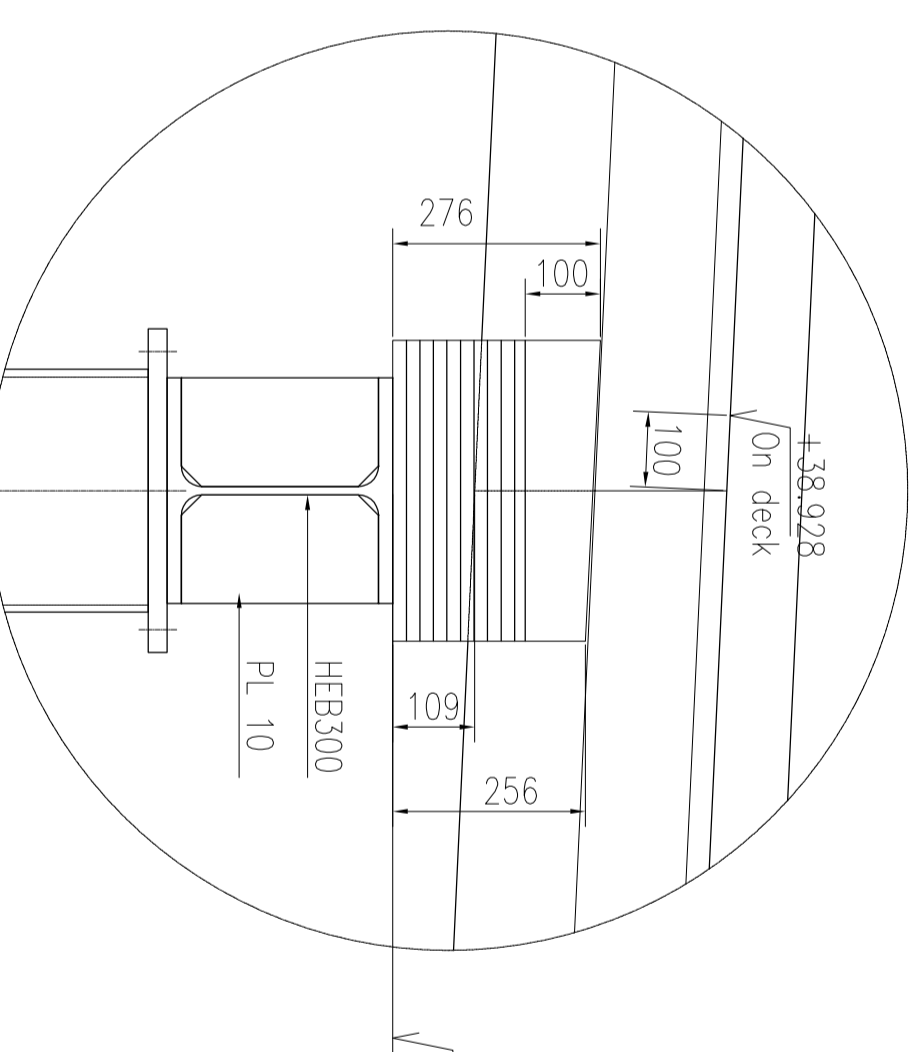
SCALE 1:25



SCALE 1:10



SCALE 1:10



SCALE 1:10

WELD SPECIFICATION:
-ALL FILET WELD VALUES REPRESENT THE THROAT THICKNESS 'a'
-ALL WELDS SINGLE FILET a=5, UNLESS OTHERWISE SPECIFIED.

NAME	NOS	W/O	NAME	NOS	W/O	NAME	NOS	W/O
F								
E								
D								
C								
B								
A								

REV	DATE	DESCRIPTION
REV 1		

HOLLANDIA INFRA P.O. Box 12 2500 AA Velperweg 441 Lelystad Phone: +31 (0) 180-348340 Fax: +31 (0) 180-518393		HOLLANDIA INFRA P.O. Box 12 2500 AA Velperweg 441 Lelystad Phone: +31 (0) 180-348340 Fax: +31 (0) 180-518393	
---	--	--	--

Client	BALFOUR BEATTY
Project	REPAIRING PEDESTRIAN/CYCLE BRIDGE
Title	TEMPORARY SUPPORTS NORTH BANK SECTIONS
Date	14/04/15
Drawn By	USA
Checked	USA
Scale	A0
File Name	33651 - 50-S002
Rev	D