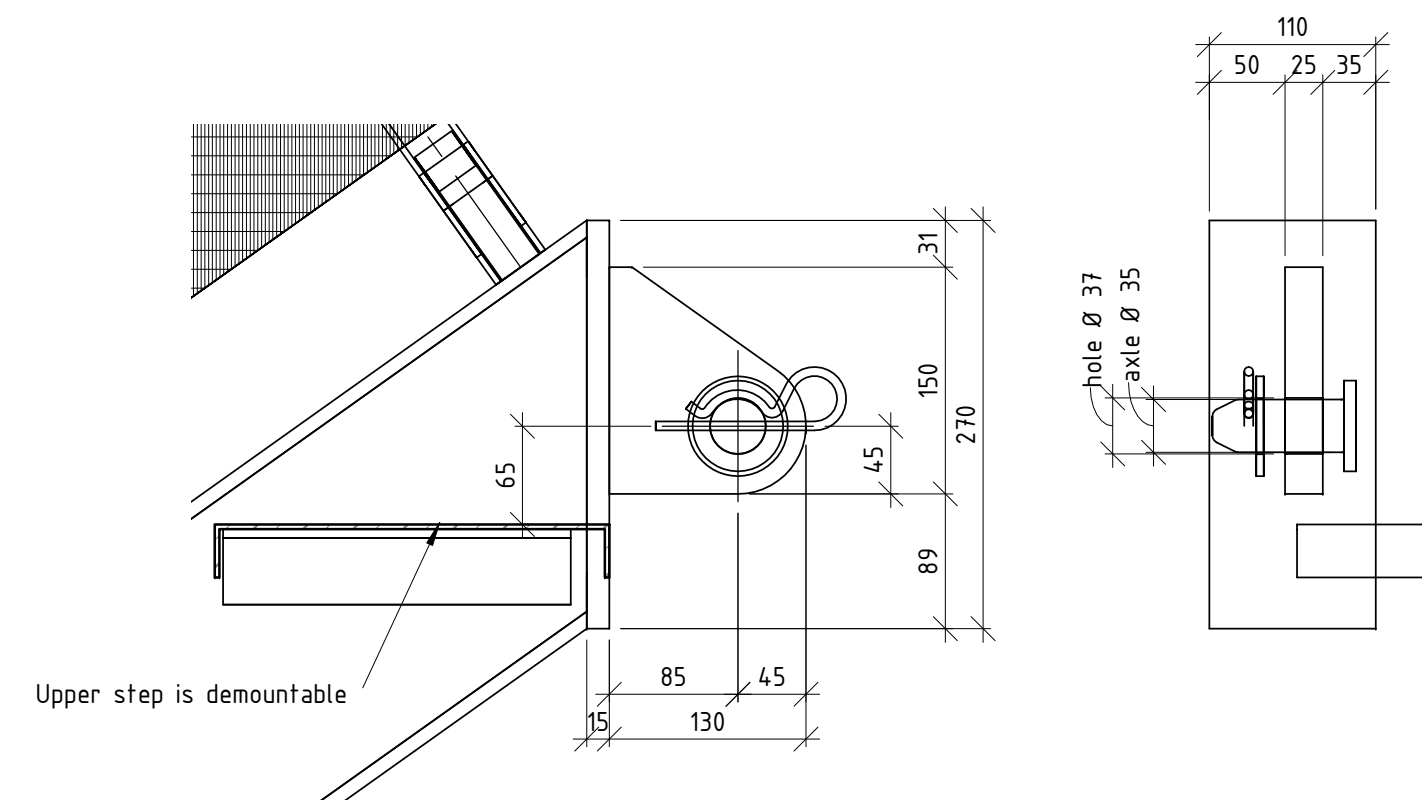


1 Isometric view of stairs with erected and folded down banisters
scale 1:20

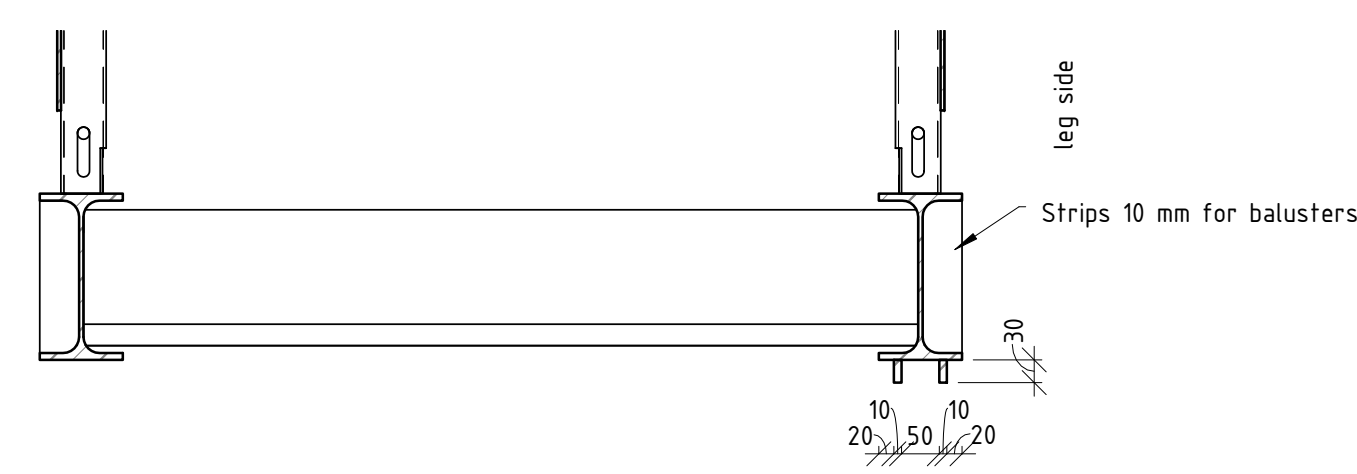
4 Isometric view of the top of the stairs
scale 1:5

7 Isometric view of the bottom of the stairs
scale 1:5

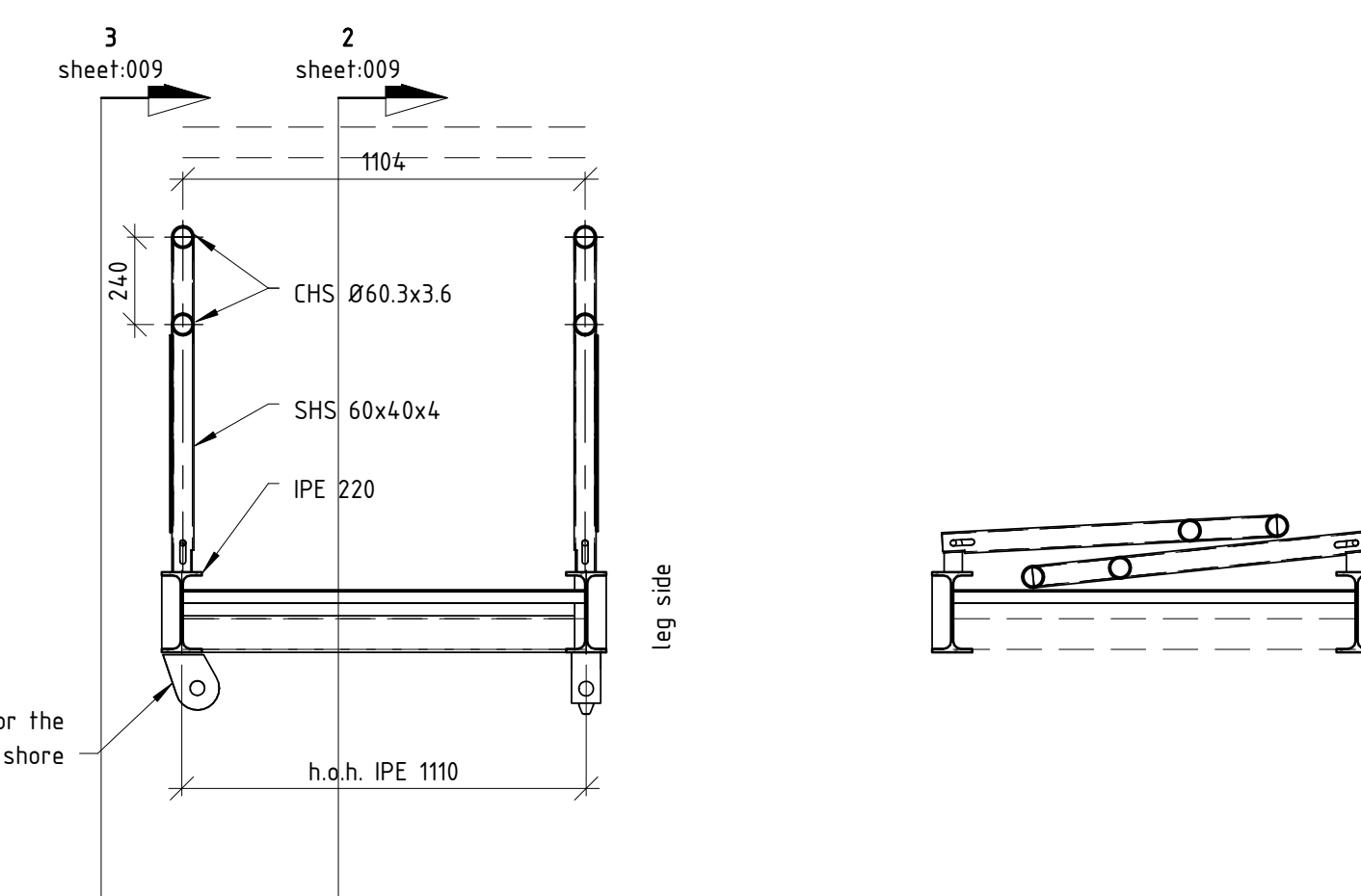


5 Detail of hinge connection of stairs to the body
scale 1:5

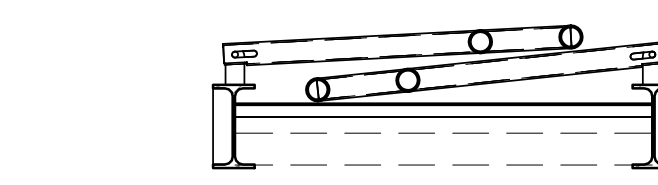
6 Side detail of hinge connection of stairs to the body
scale 1:5



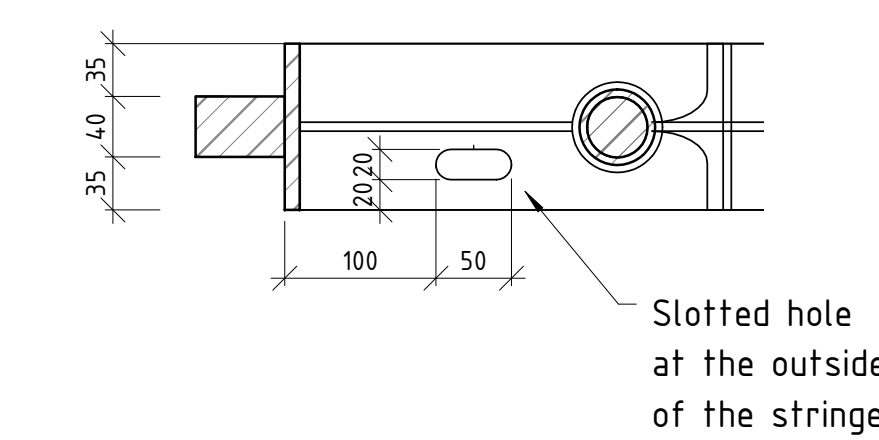
11 Cross-section of stairs, bottom part
scale 1:10



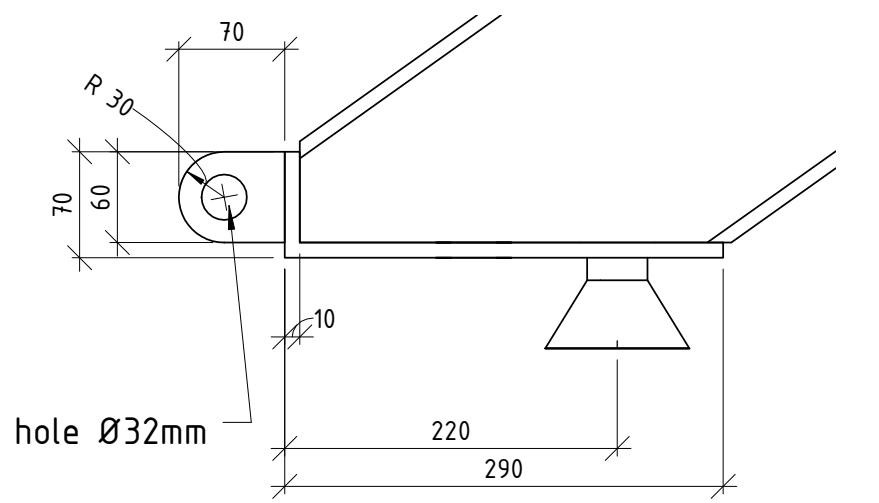
12 Cross-section of stairs with erected banisters
scale 1:20



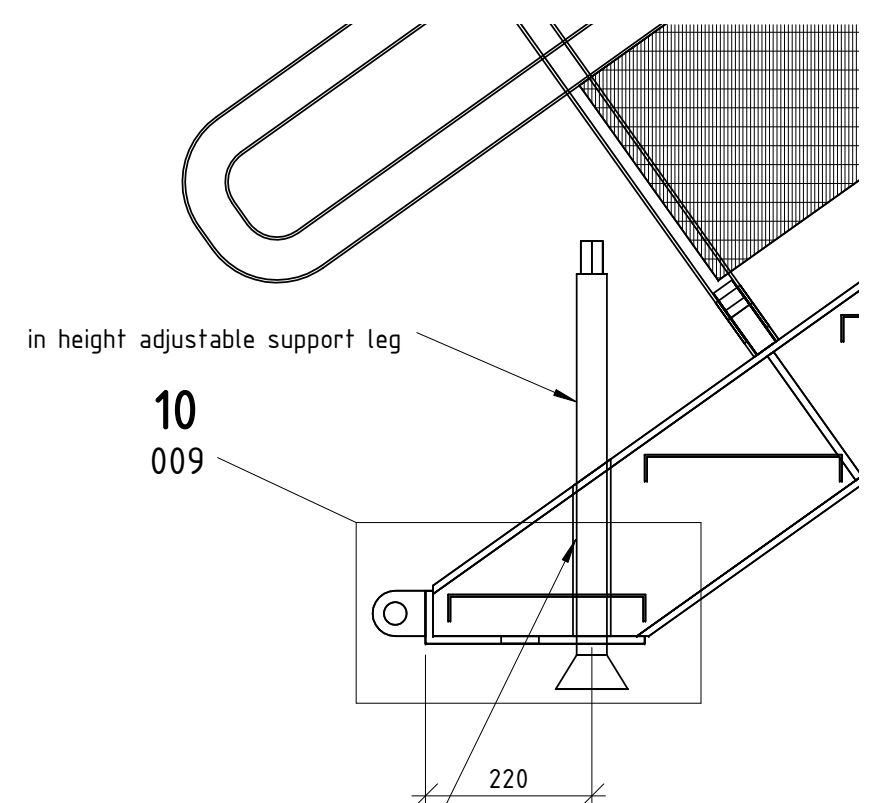
13 Cross-section of stairs with folded down banisters
scale 1:20



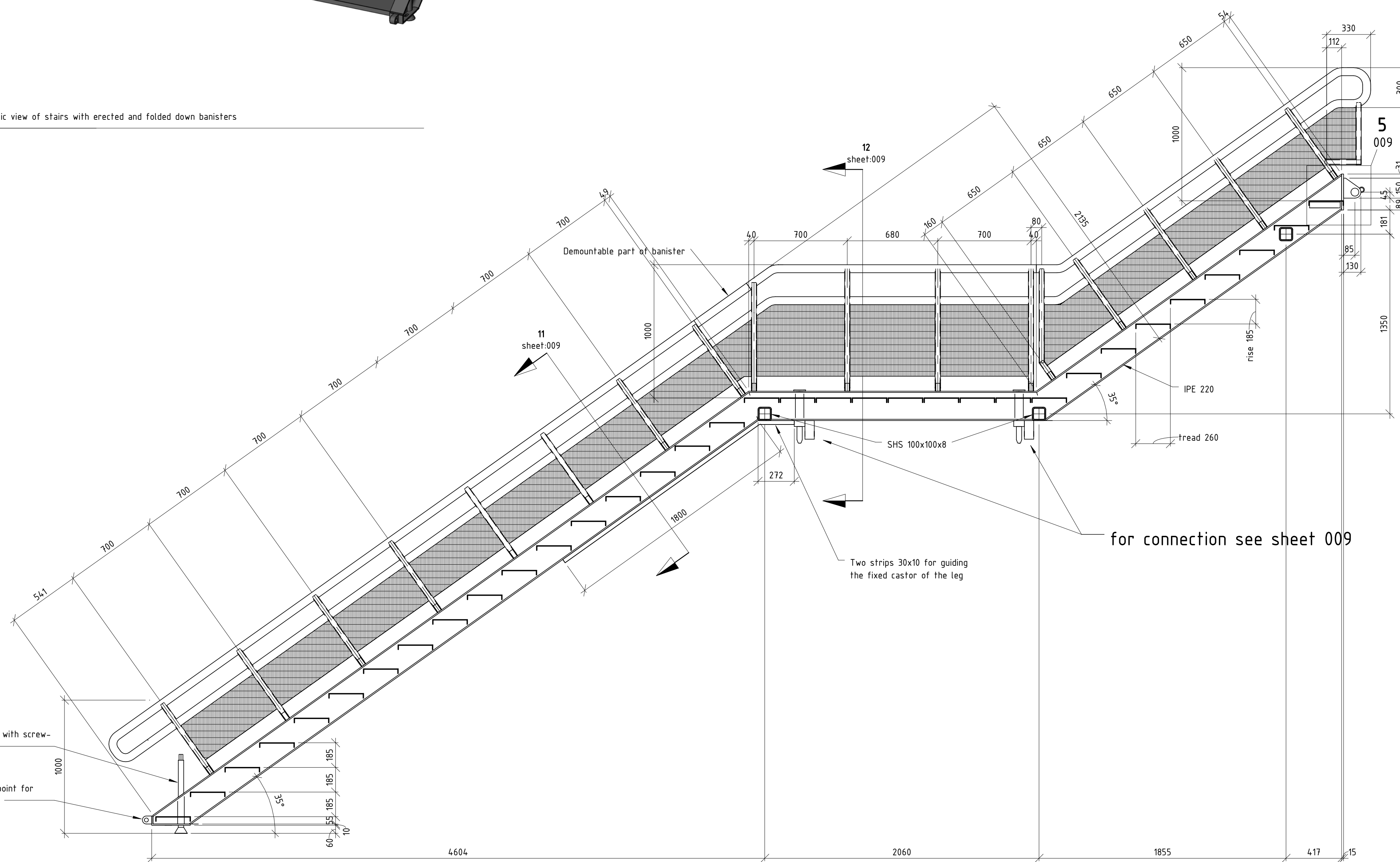
8 Detail of bottom end of stringer
scale 1:5



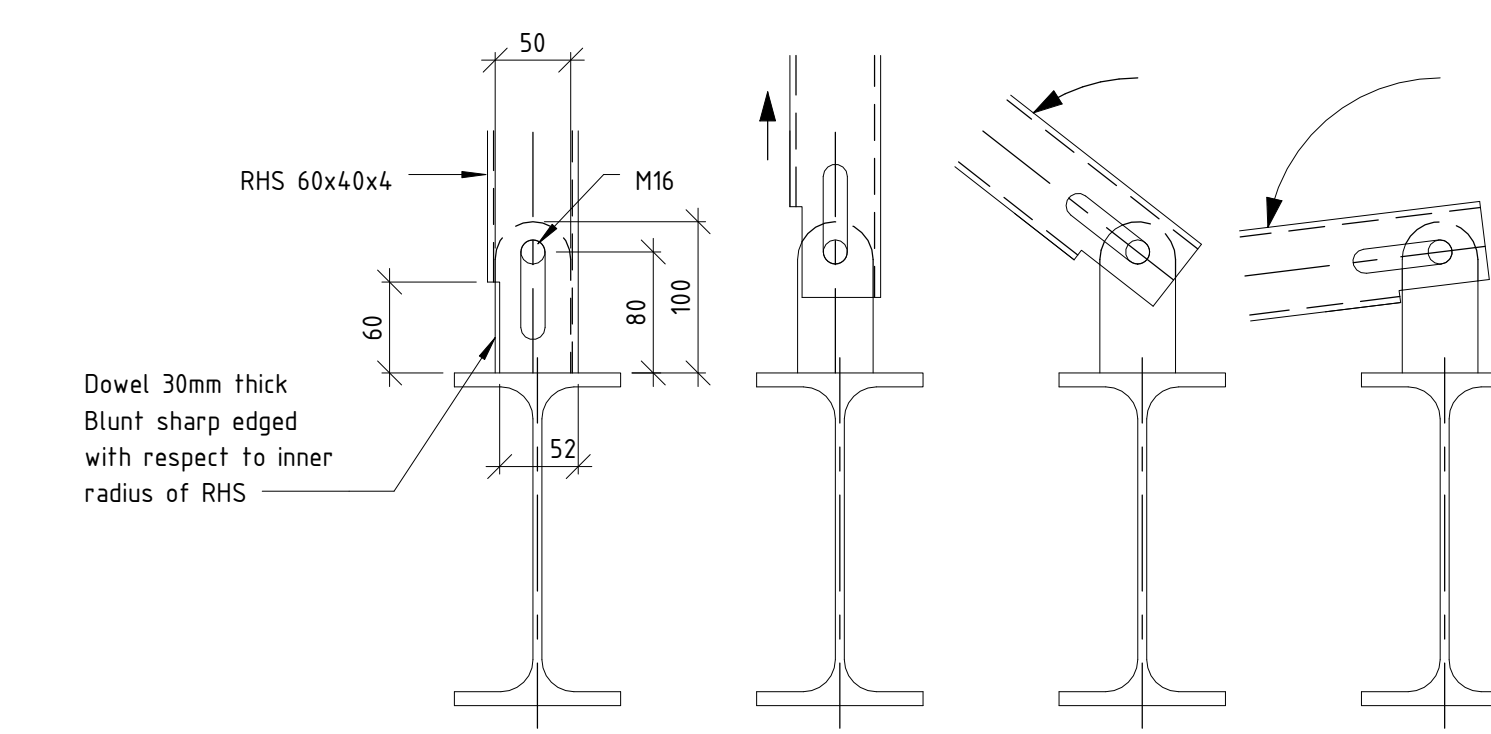
10 Detail of connection of ramp with stairs
scale 1:5



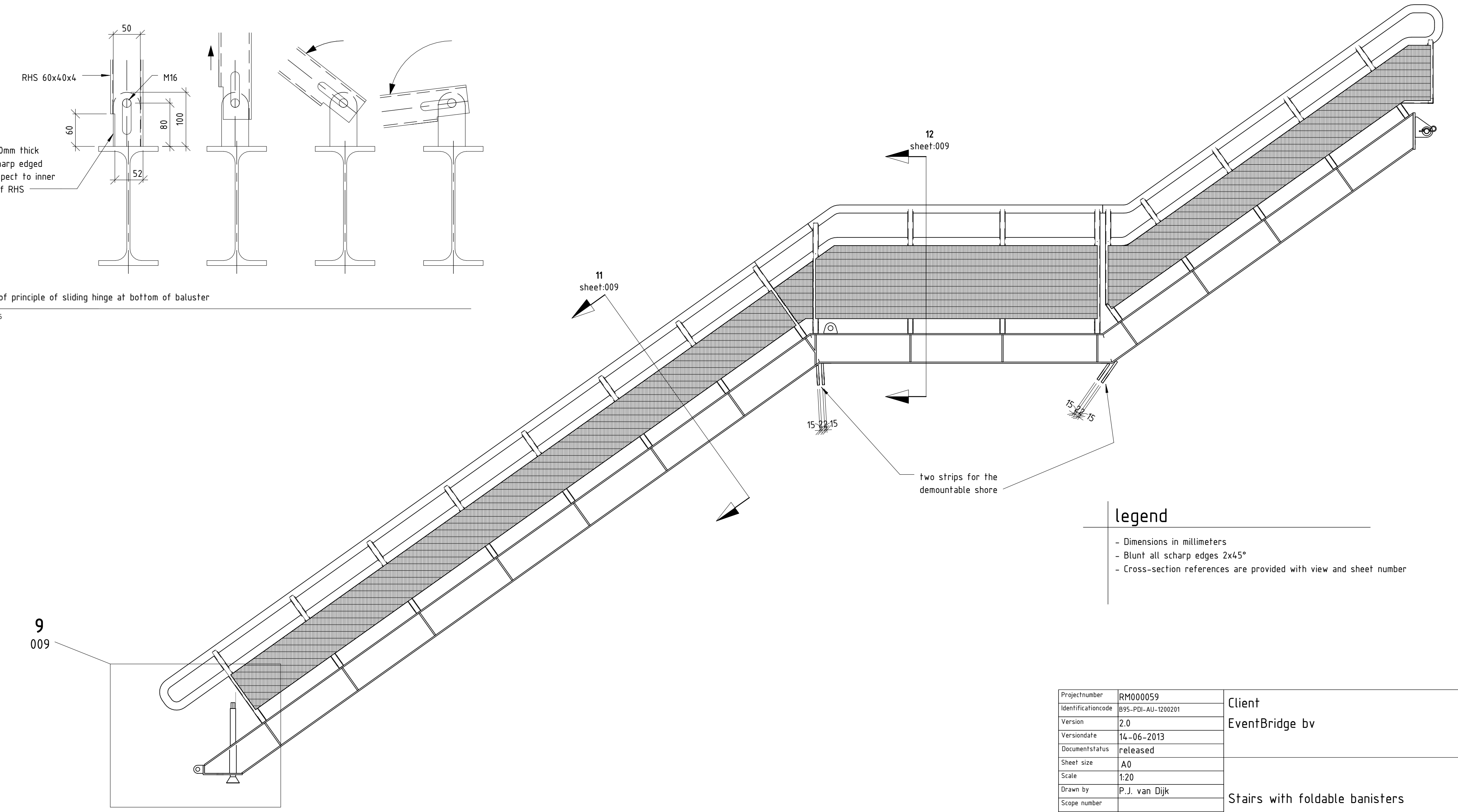
9 Side view of the bottom of the stairs
scale 1:10



2 Cross-section of stairs
scale 1:20



15 Detail of principle of sliding hinge at bottom of baluster
scale 1:5



3 Side view of stairs
scale 1:20

- legend
- Dimensions in millimeters
 - Blunt all sharp edges 2x45°
 - Cross-section references are provided with view and sheet number

Projectnumber	RM000059	Client	EventBridge bv
Identificatienummer	105-FB-AU-000001	Version	2.0
Versiedatum	14-06-2013	Documentstatus	released
Client size	AD	Scale	1:20
Drawn by	P.J. van Dijk	Scope number	Stairs with foldable banisters
Projectleader	ir. S.H.F.M. Taxis	Checked by	ir. ing. H.J. van Lint
Division	RM-IS-CO	Department	CO
Postbus	2855	3500 GW Utrecht	
		Movares adviseurs & ingenieurs	