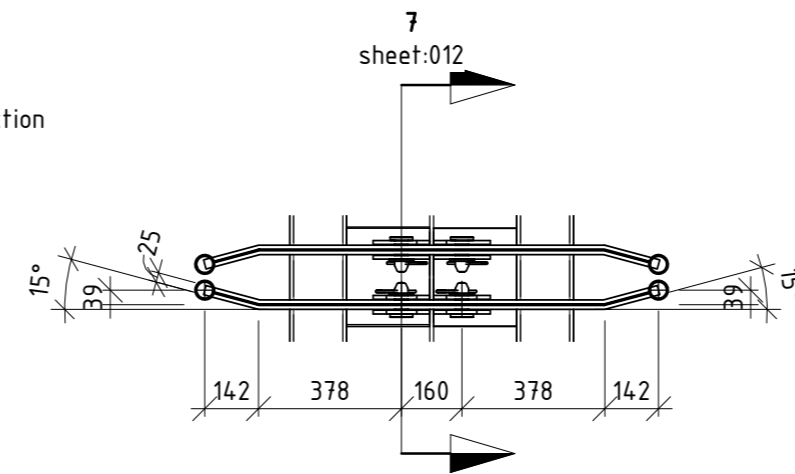
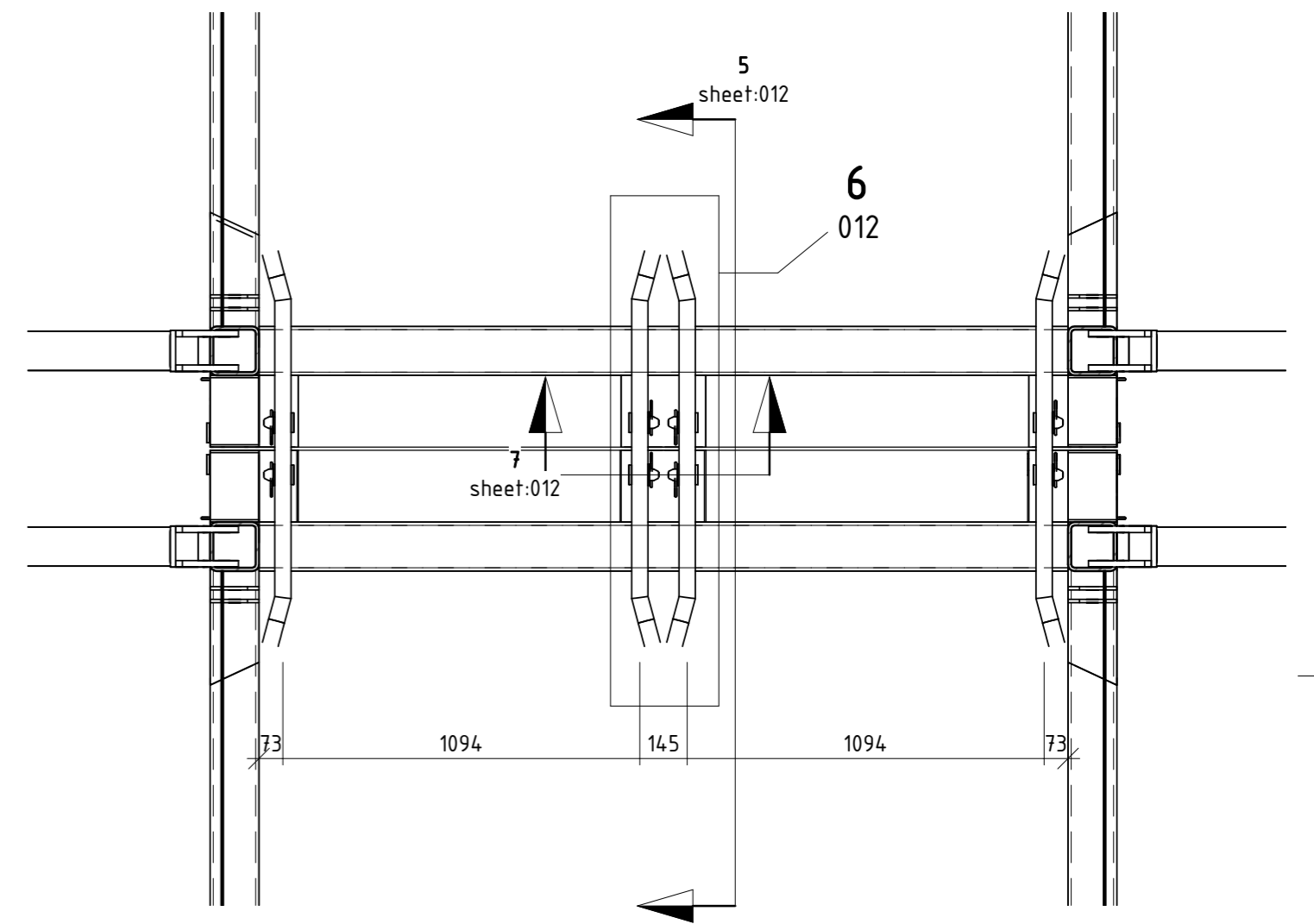


leg connection

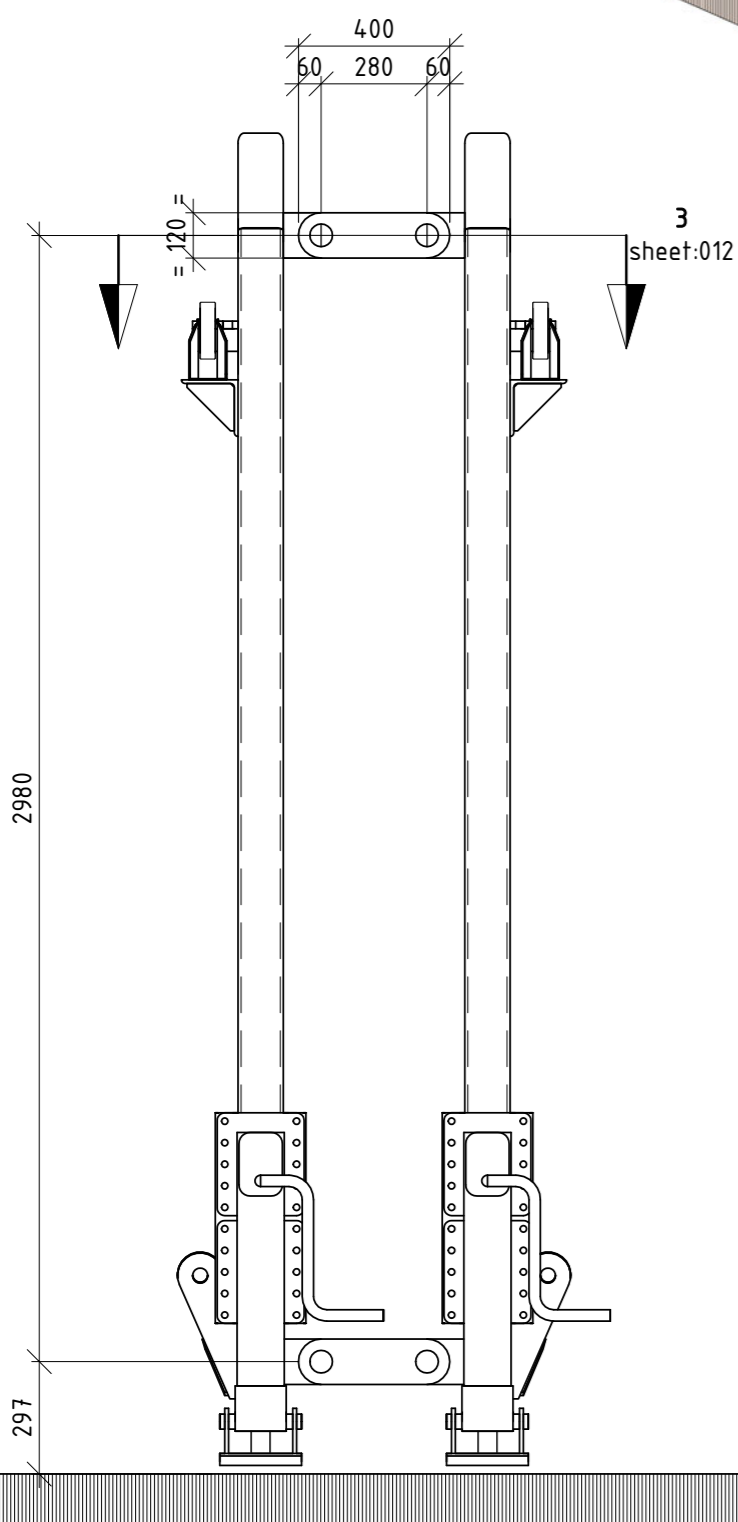
Bridge connection  
integrated in railing



6 Top view of bridge connection integrated in railing  
scale 1 : 20

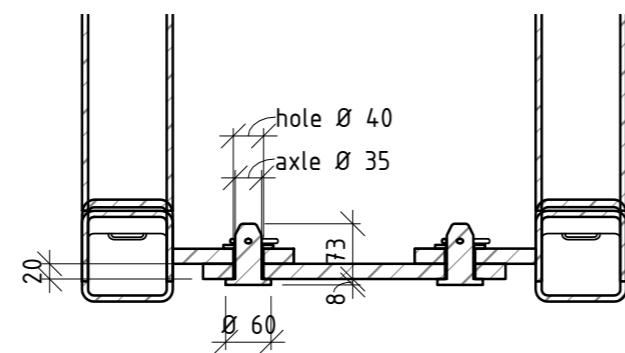


4 Top view of bridge connection  
scale 1 : 20

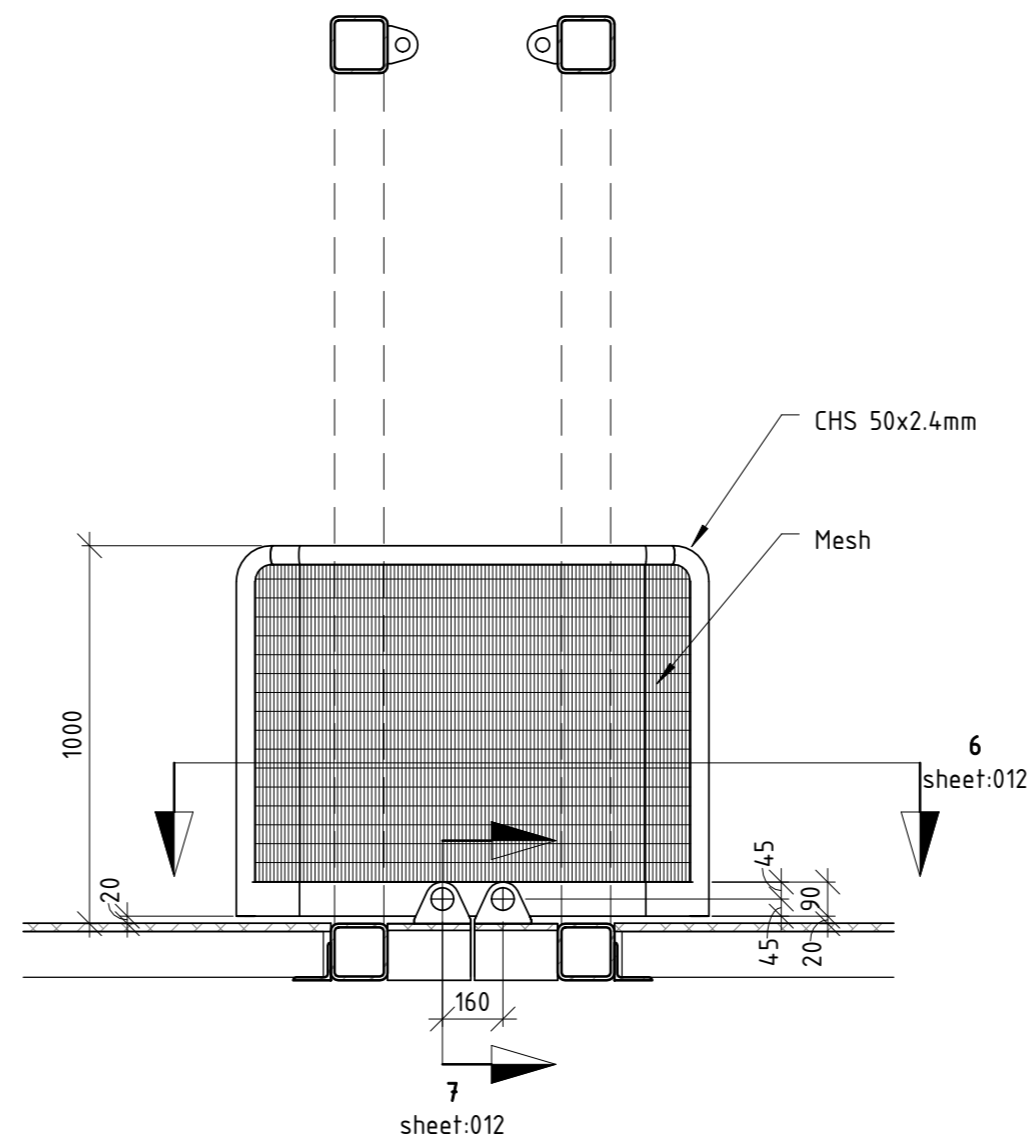


2 Side view of leg connection  
scale 1 : 20

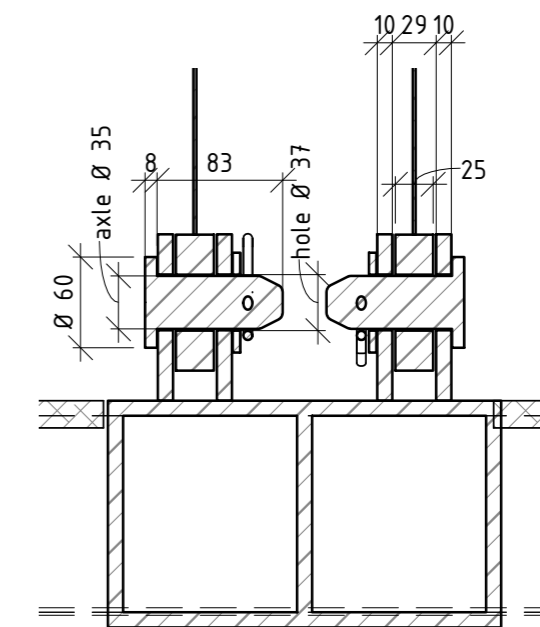
1 Isometric view of cross-section of bridge connection  
scale



3 Cross-section of leg connection  
scale 1 : 10



5 Front view of bridge connection integrated in railing  
scale 1 : 20



7 Detail of bridge connection  
scale 1 : 5

Projectnumber	RM000059	Client	EventBridge bv
Identificationcode	B95-PDI-AU-1200201		
Version	2.0		
Versiondate	14-06-2013		
Documentstatus	released		
Sheet size	A2		
Scale	1:20		
Drawn by	P.J. van Dijk		
Scope number			Connection of two EventBridge in one line
Projectleader	Ir. S.H.F.M. Taxis		
Checked by	Ir. ing. H.J. van Lint		

Division: RM-IS-CO  
Department CO  
Postbus 2855  
3500 GW Utrecht

**Movares**  
adviseurs & ingenieurs

012

A2