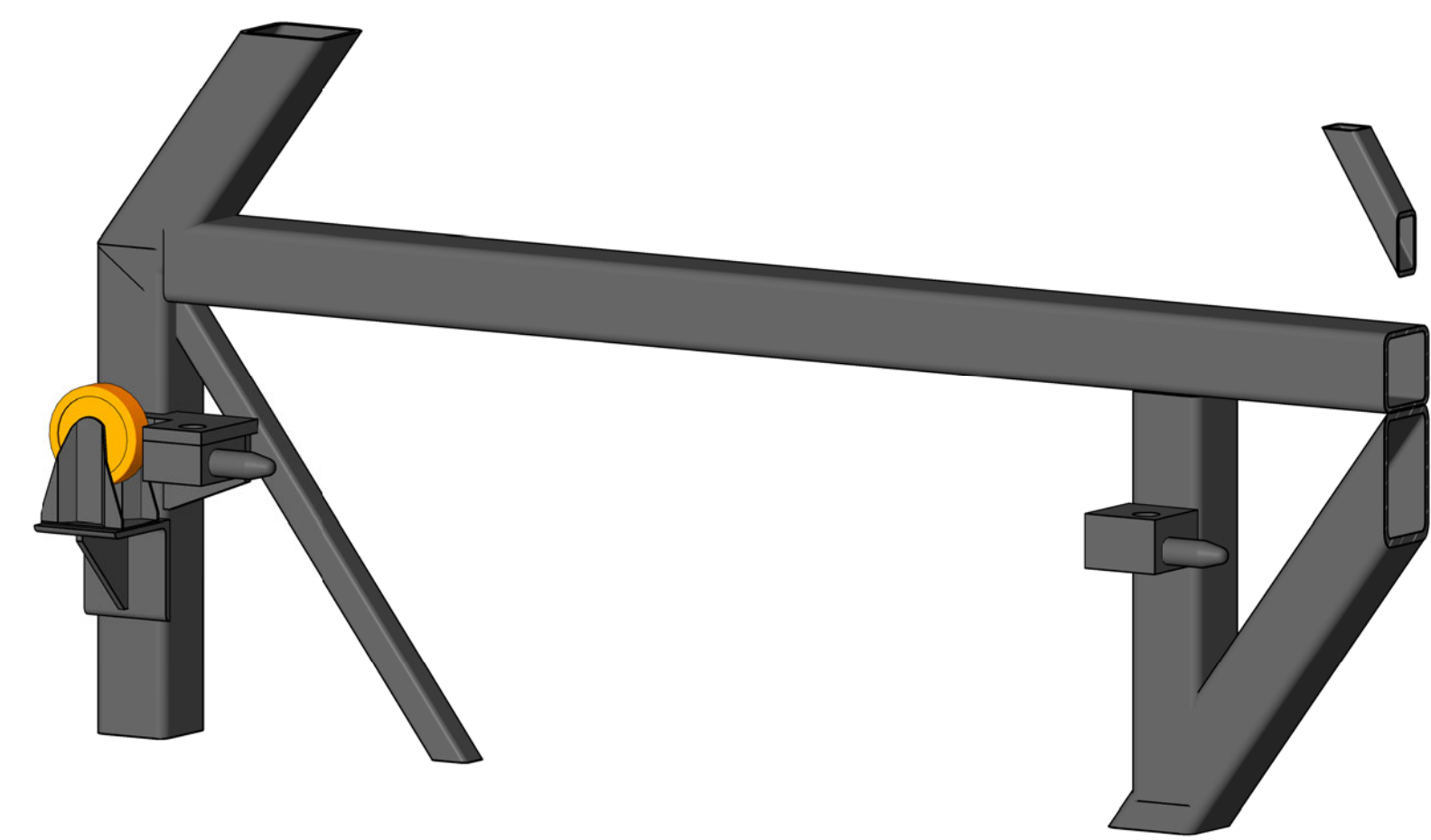
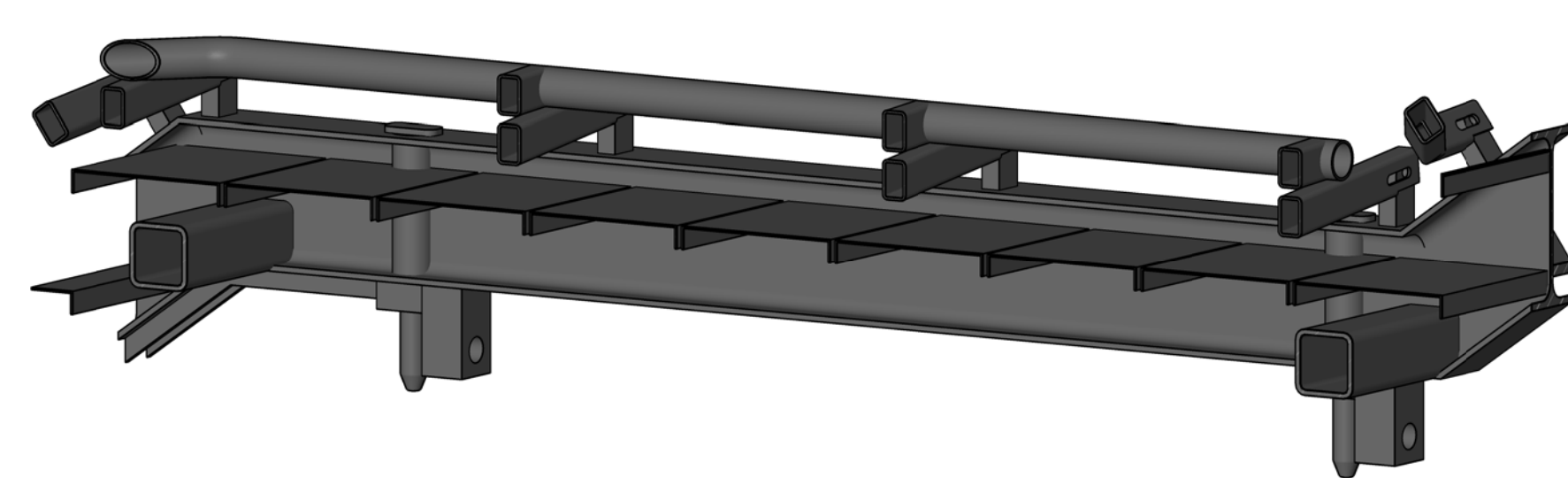




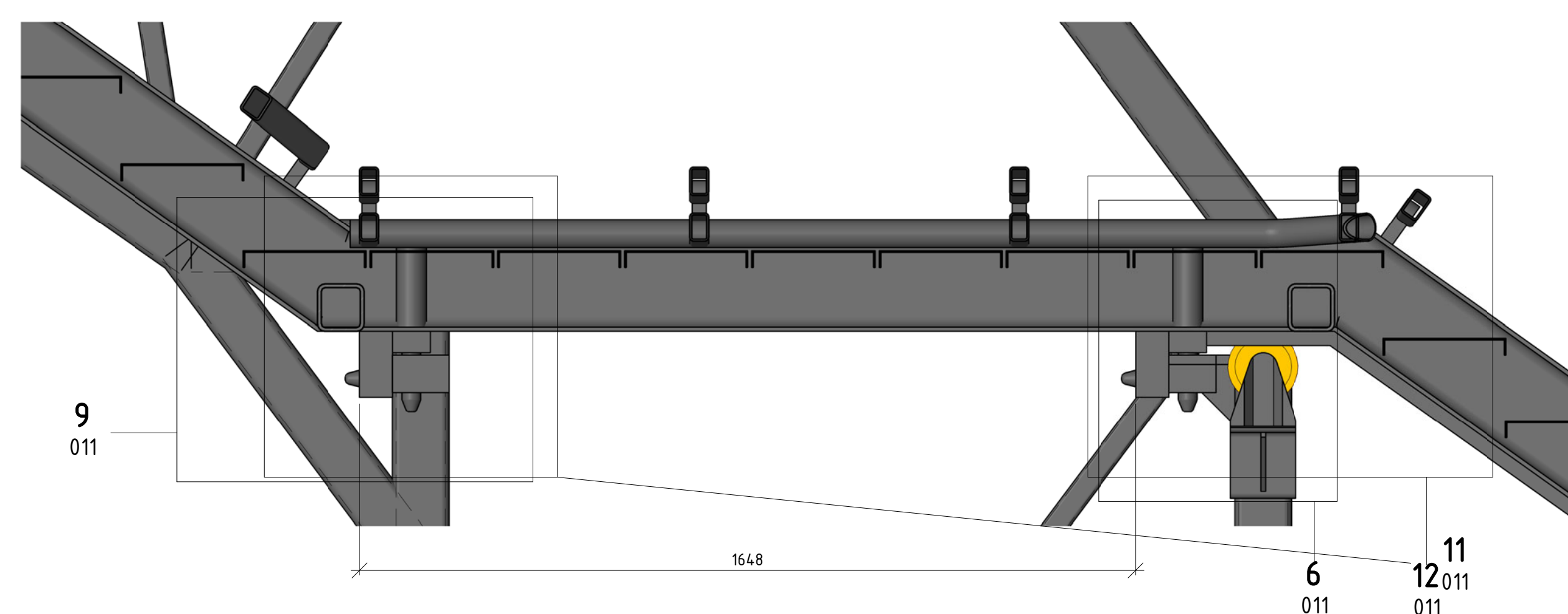
1 Isometric view of connection of stairs with legs underneath plateau  
scale



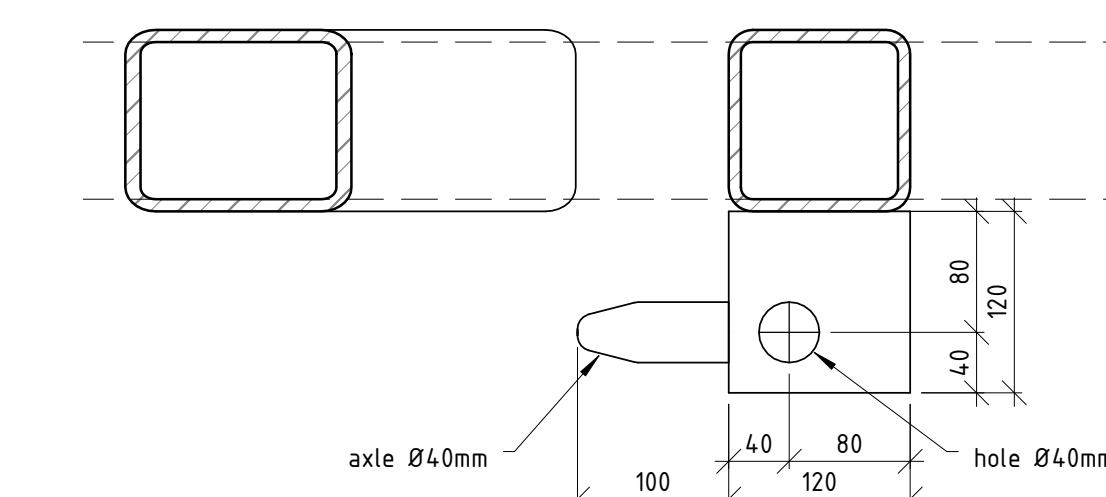
3 Isometric view of leg part of connection between leg and stairs  
scale



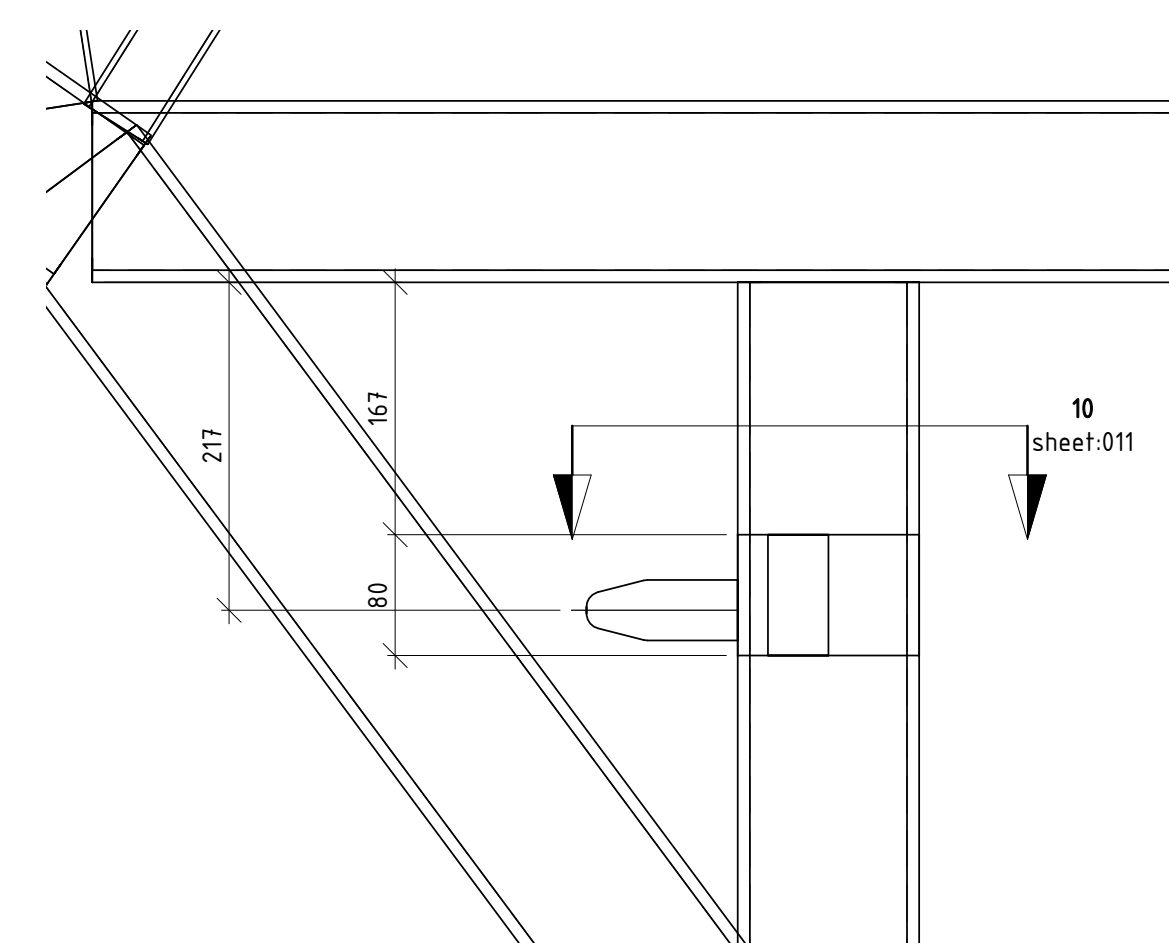
4 Isometric view of stairs part of connection between leg and stairs  
scale



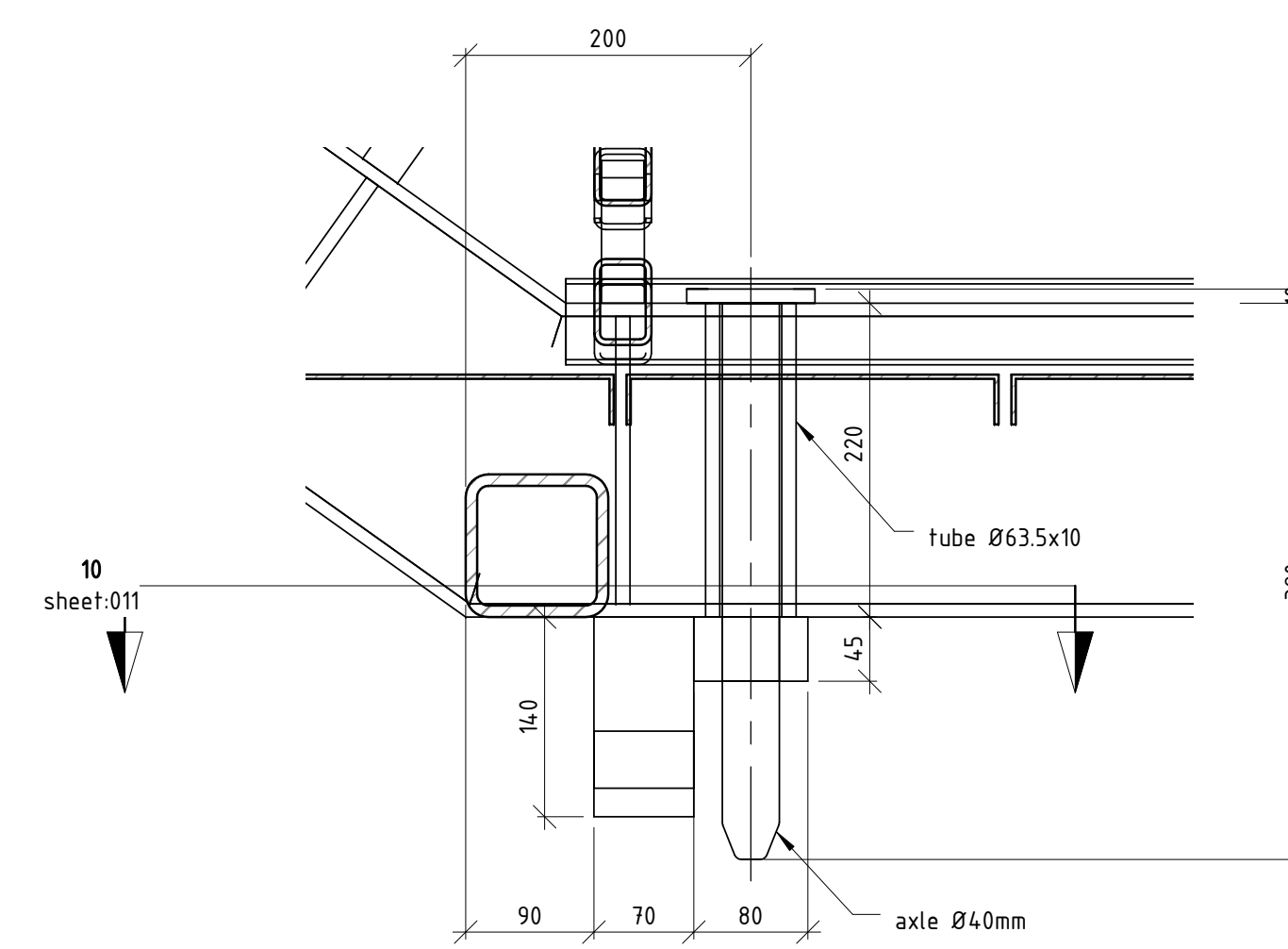
5 Side view of connection of stairs with leg underneath plateau  
scale 1 : 10



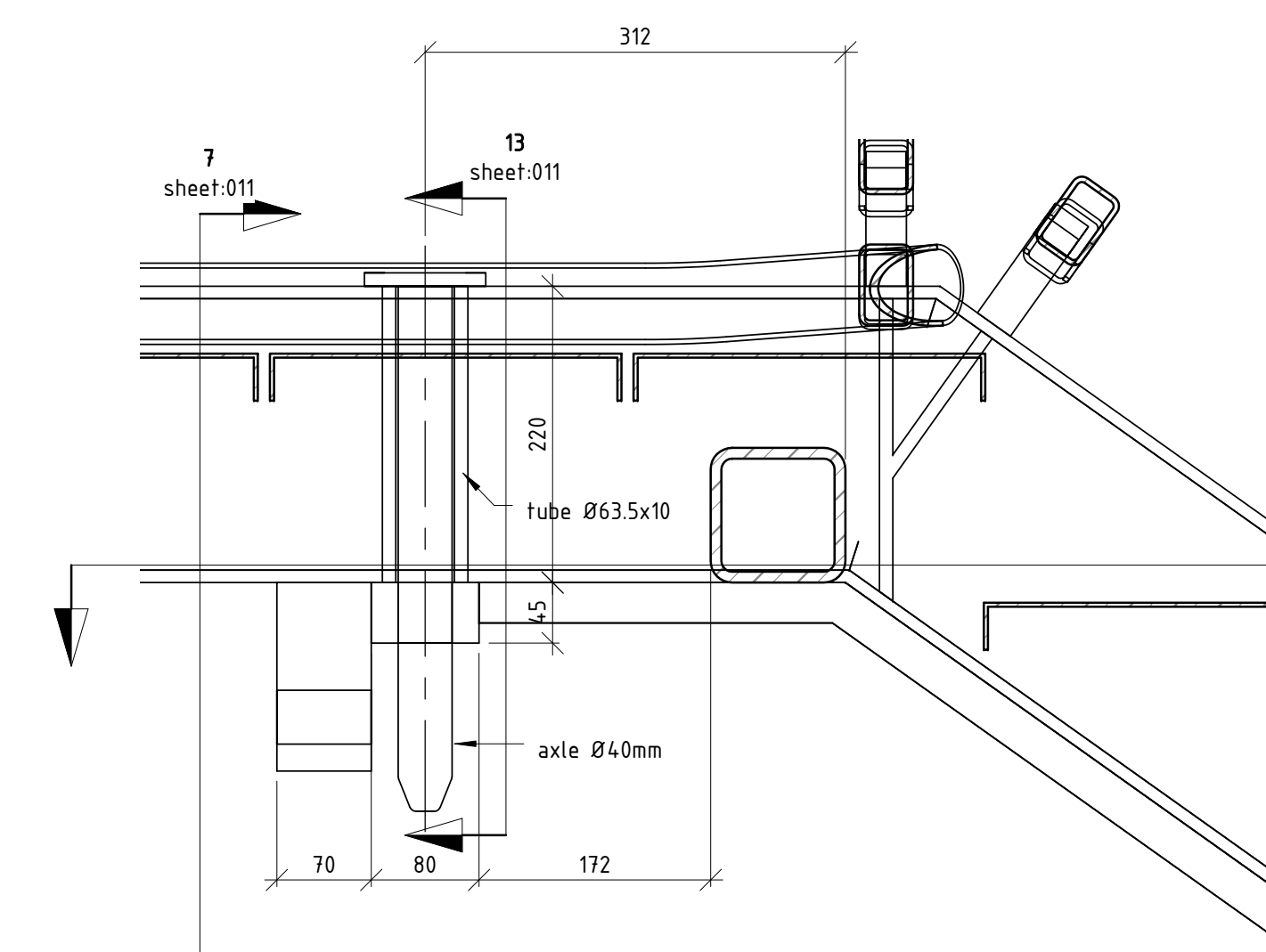
10 Front view of leg part of connection between leg and stairs near fixed castor  
scale 1 : 5



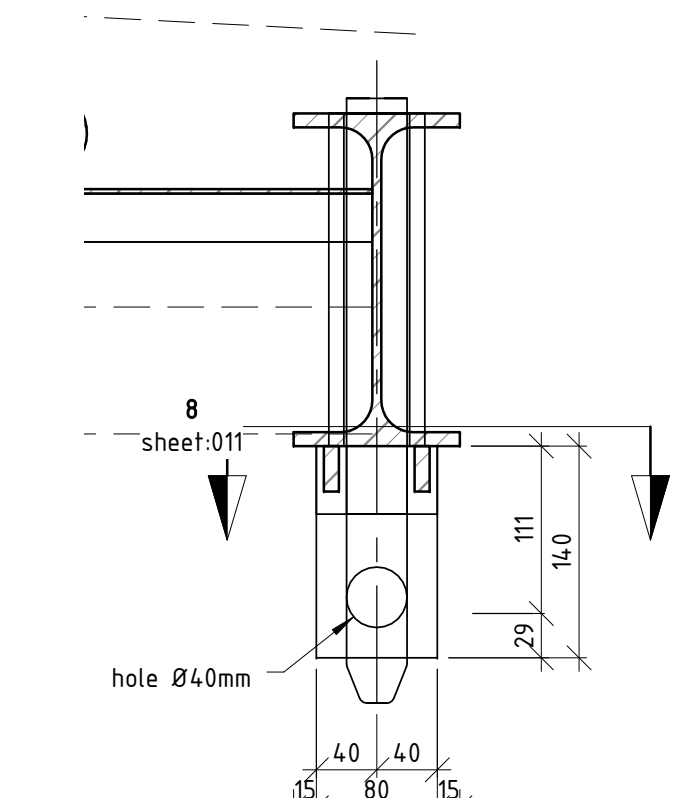
9 Side view of leg part of connection between leg and stairs at body side  
scale 1 : 5



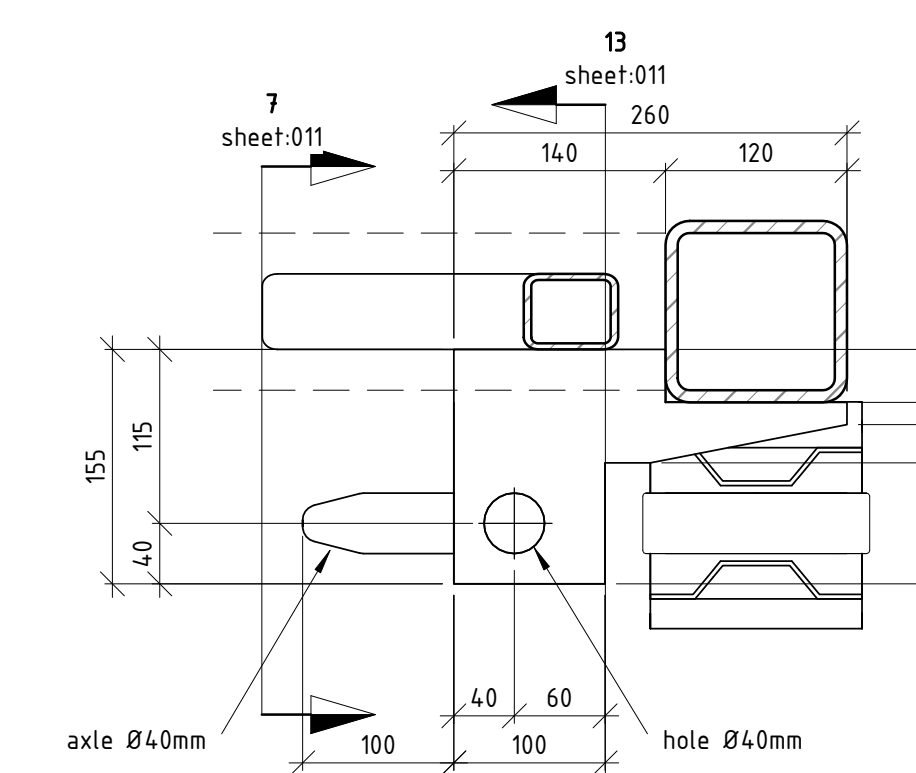
11 Cross-section of connection of stairs with leg underneath plateau  
scale 1 : 5



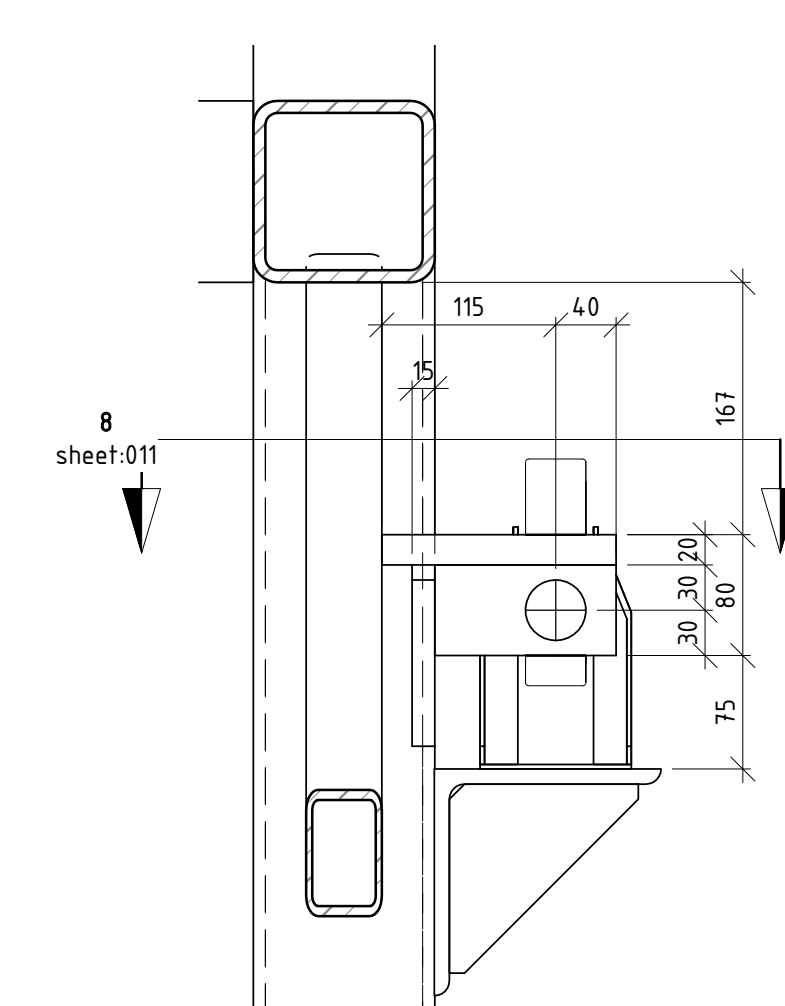
12 Cross-section of connection of stairs with leg underneath plateau  
scale 1 : 5



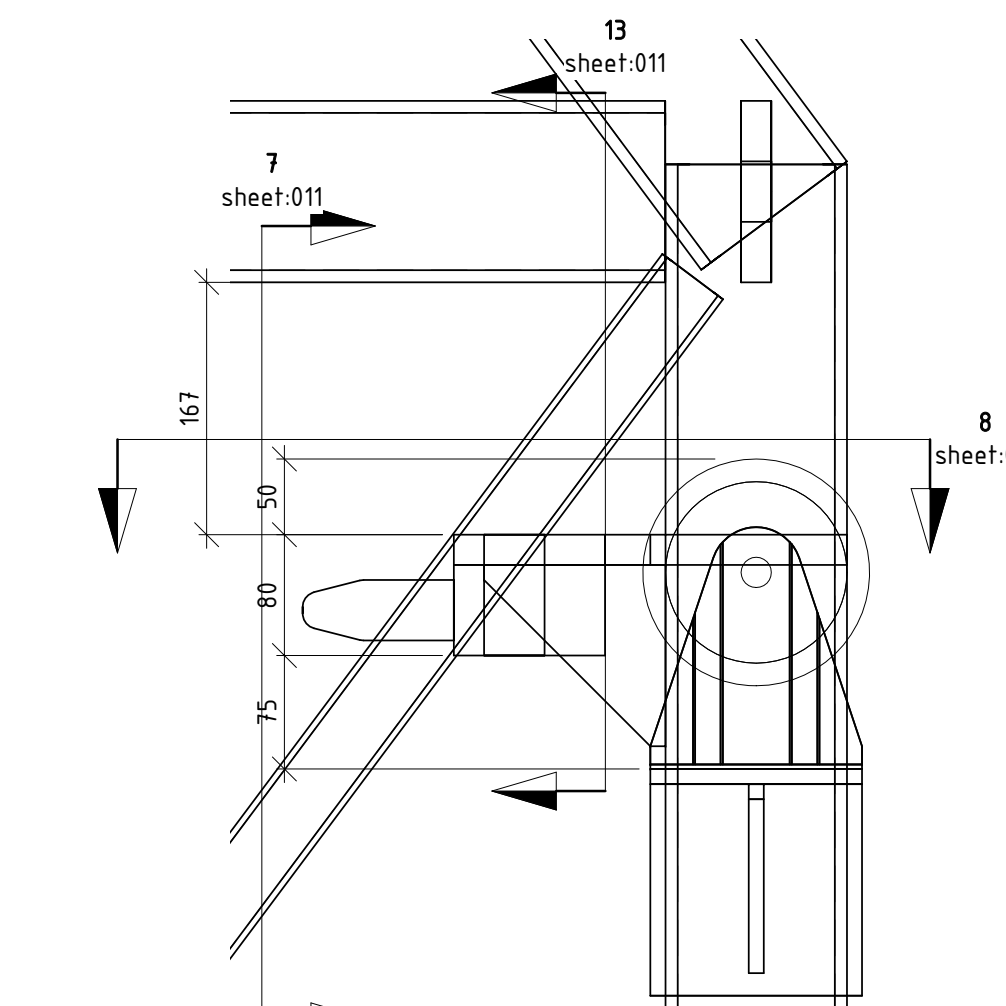
13 Cross-section of connection of stairs with leg  
scale 1 : 5



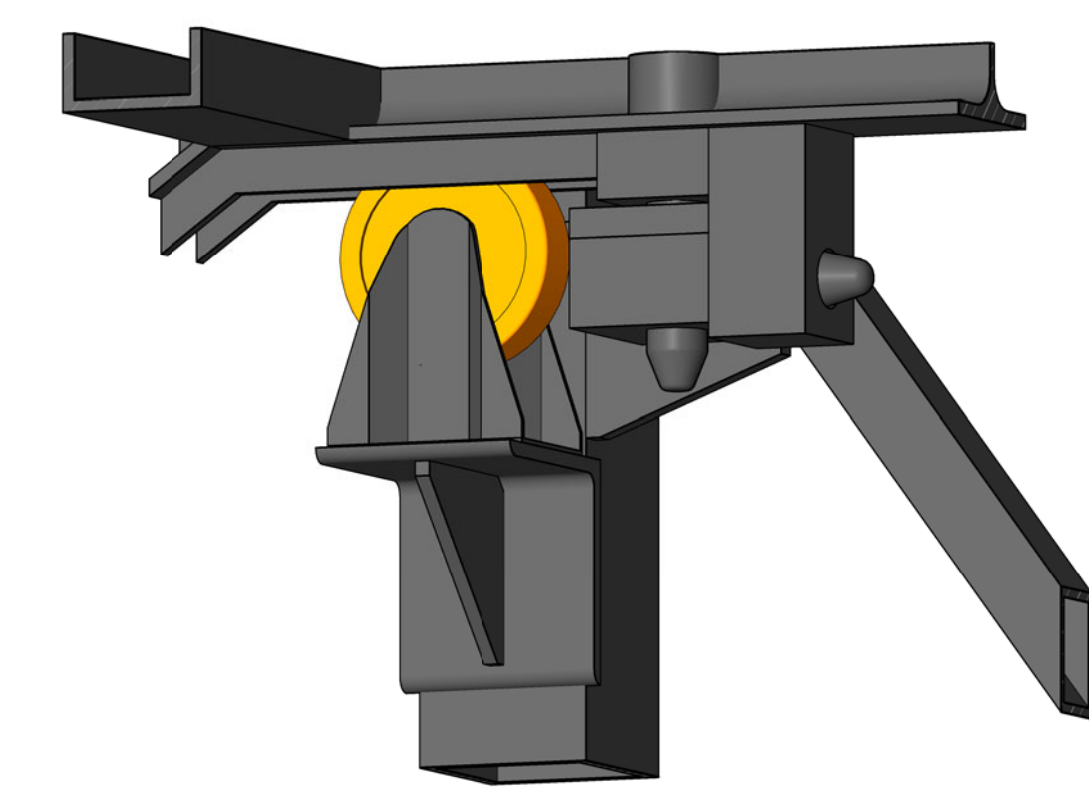
8 Top view of leg part of connection between leg and stairs near fixed castor  
scale 1 : 5



7 Front view of leg part of connection between leg and stairs near fixed castor  
scale 1 : 5



6 Side view of leg part of connection between leg and stairs near fixed castor  
scale 1 : 5



14 Isometric view connection between leg and stairs near fixed castor  
scale

Legend

- Dimensions in millimeters
- Blunt all sharp edges 2x45°
- Cross-section references are provided with view and sheet number

Projectnumber	RHD00059	Client	EventBridge bv
Identificatienummer	105-720-AU-000201		
Version	2.0		
Versiedatum	14-06-2013		
Documentstatus	released		
Client side	AO		
Scale	1:5		
Drawn by	P.J. van Dijk		
Scale number			
Projectleader	Ir. S.H.F.M. Taxis		
Checked by	Ir. ing. H.J. van Lint		
Division	RM-IS-CO		
Department	CO		
Postbus	2855		
3500 GW Utrecht			