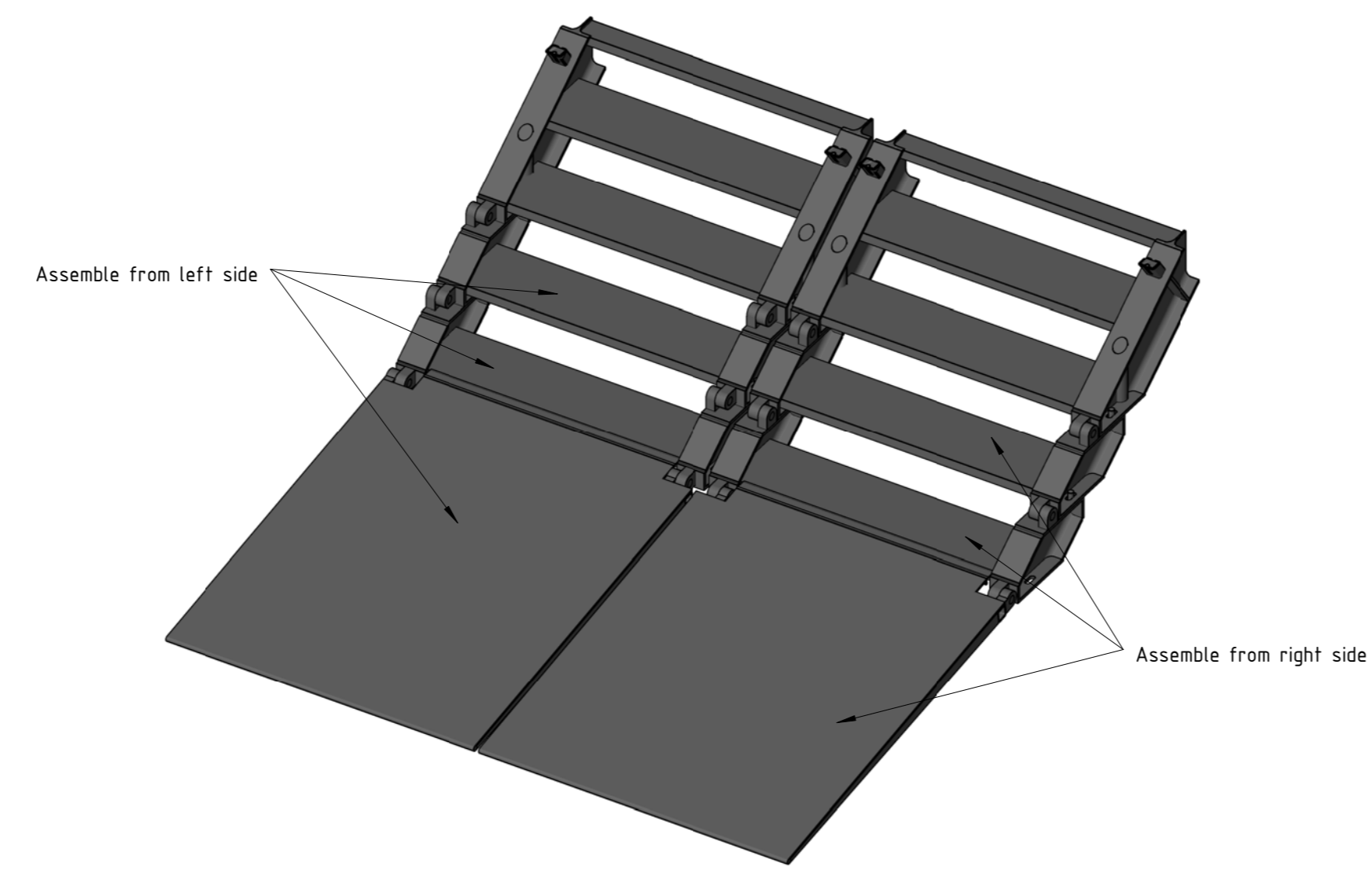
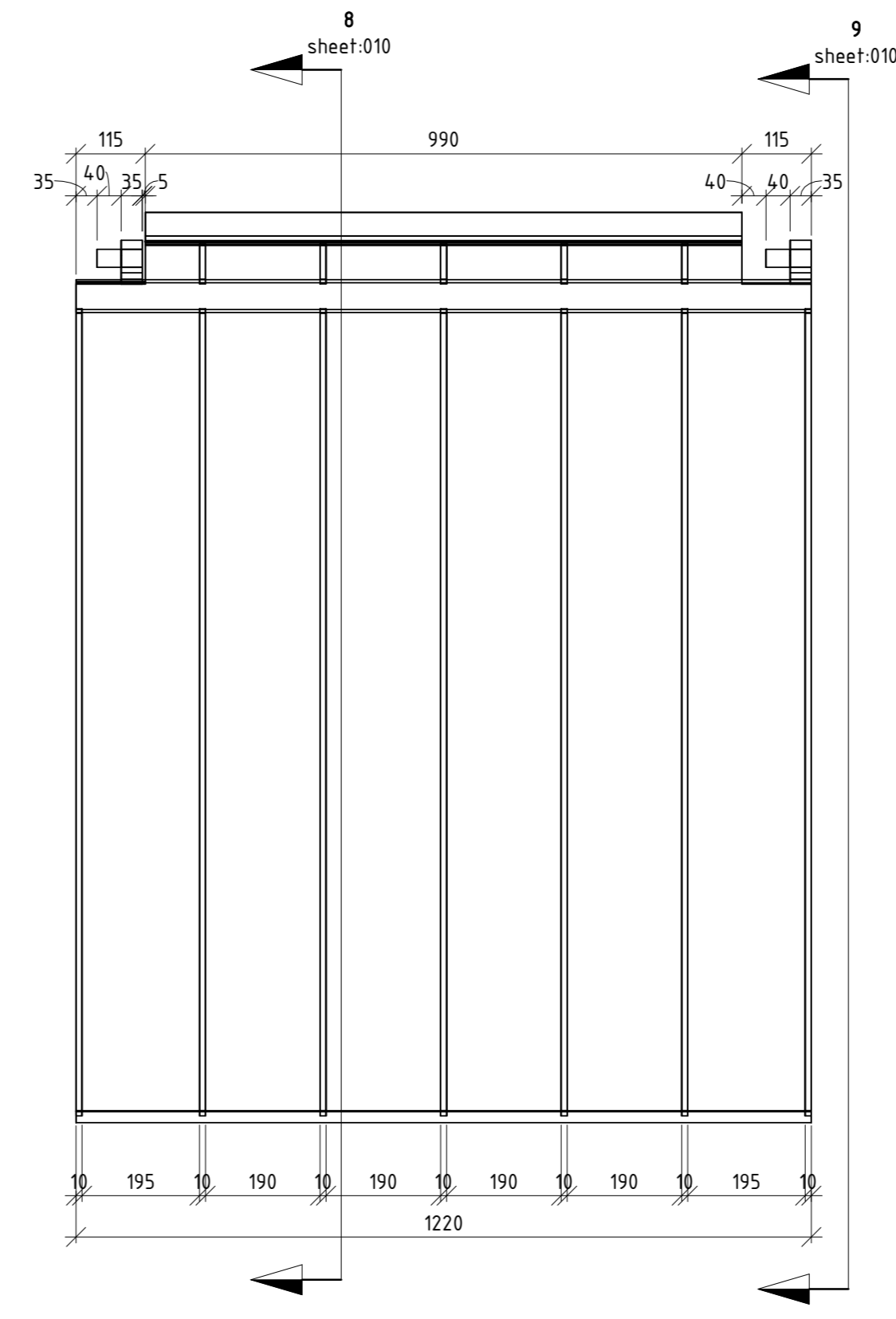


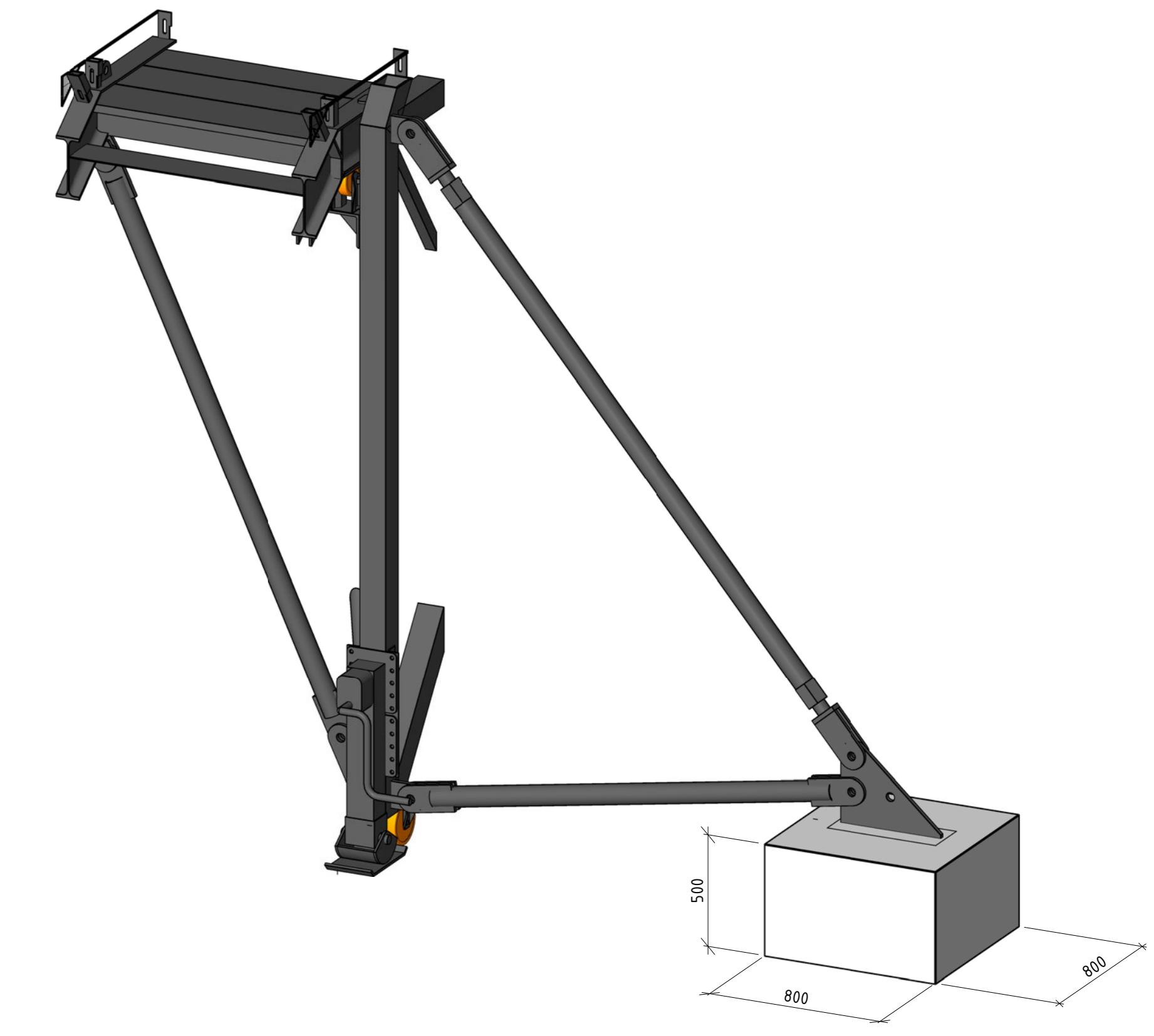
1 Isometric view of stairs with demountable steps and ramp
scale



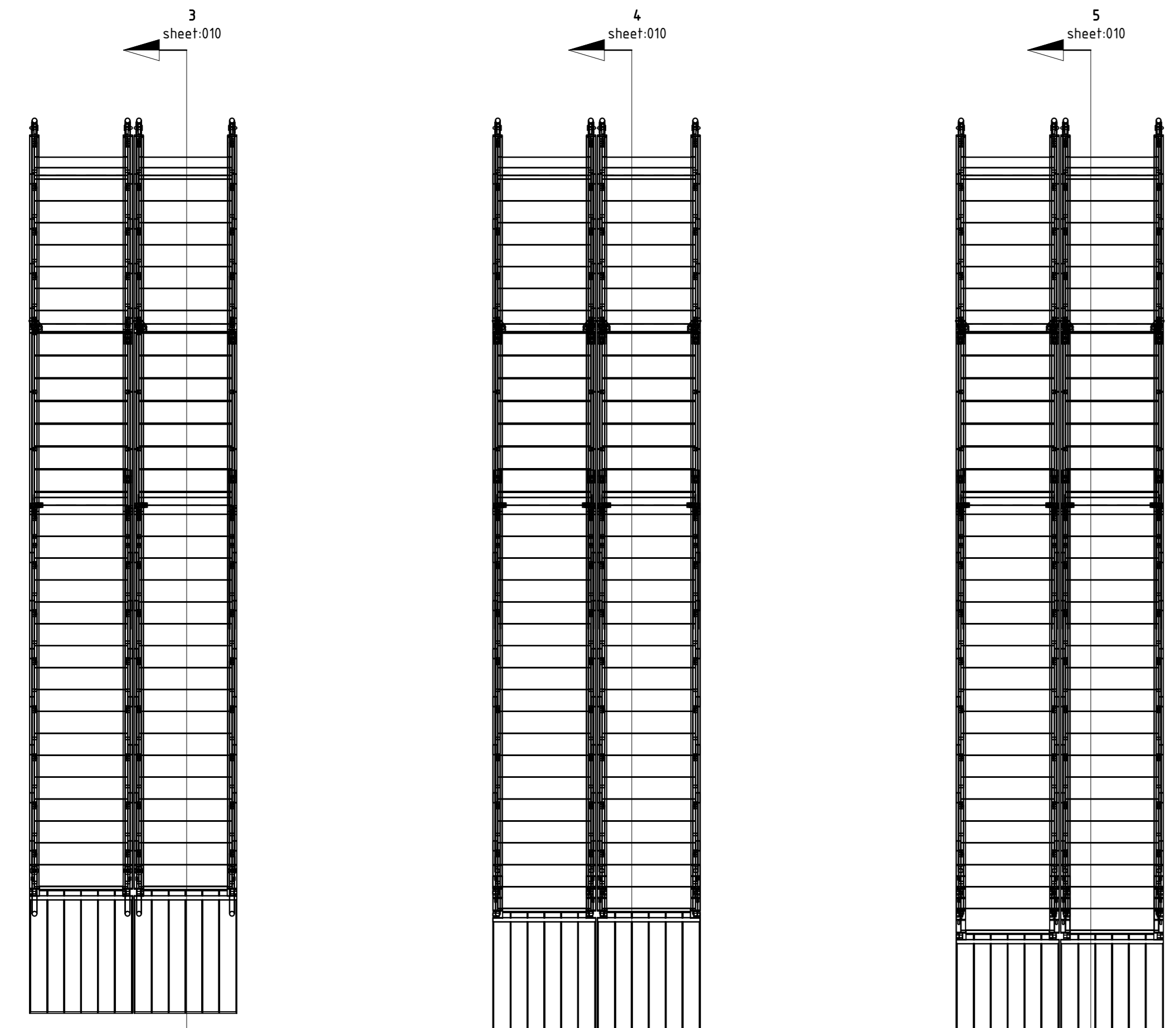
6 Isometric view of assembly of the stairways with demountable steps and ramps
scale



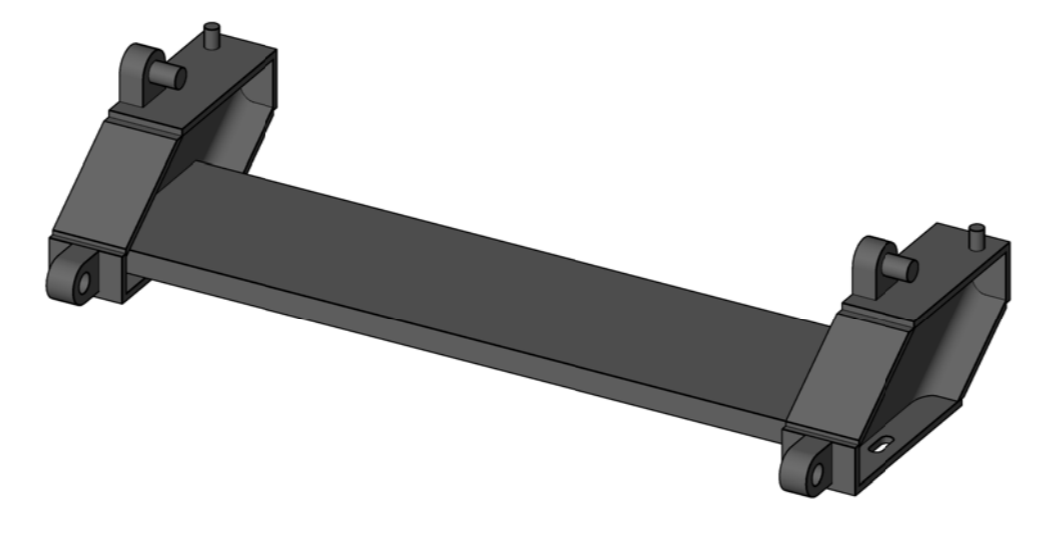
7 Bottom view of a ramp
scale 1: 10



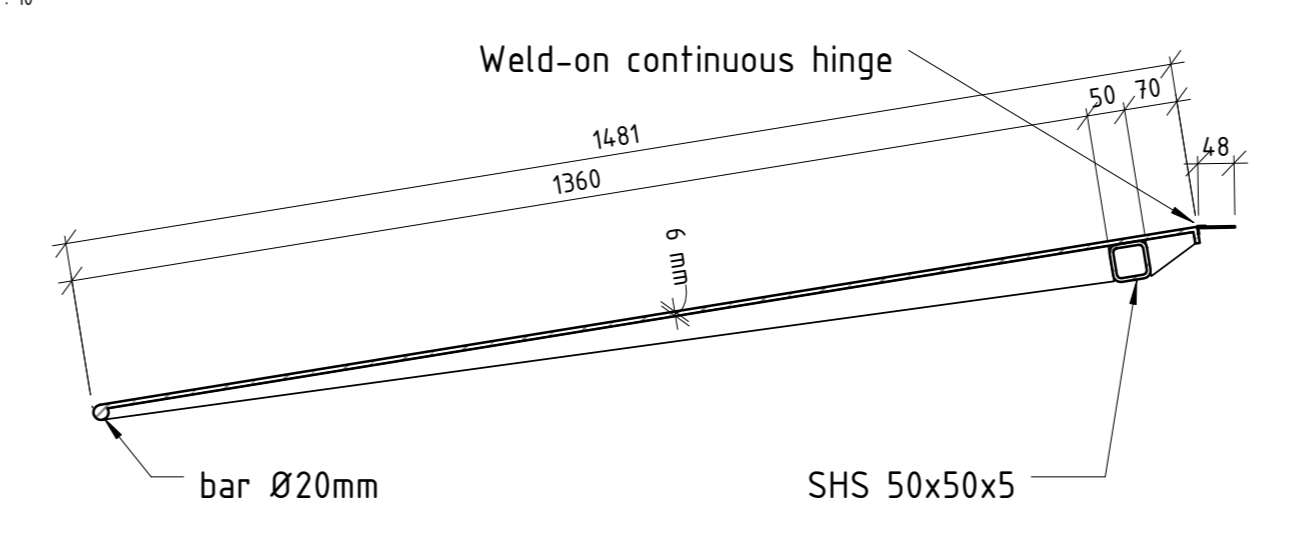
18 Isometric view of side shore for EventBridge with parallel attached stairways
scale



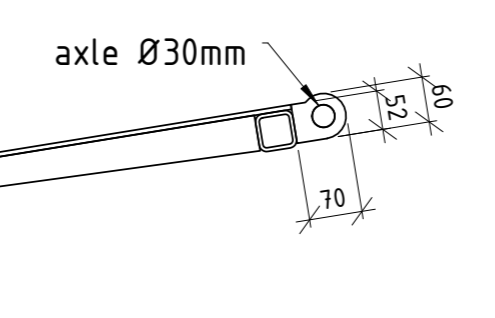
2 Top view of stairs with demountable steps and ramp
scale 1: 50



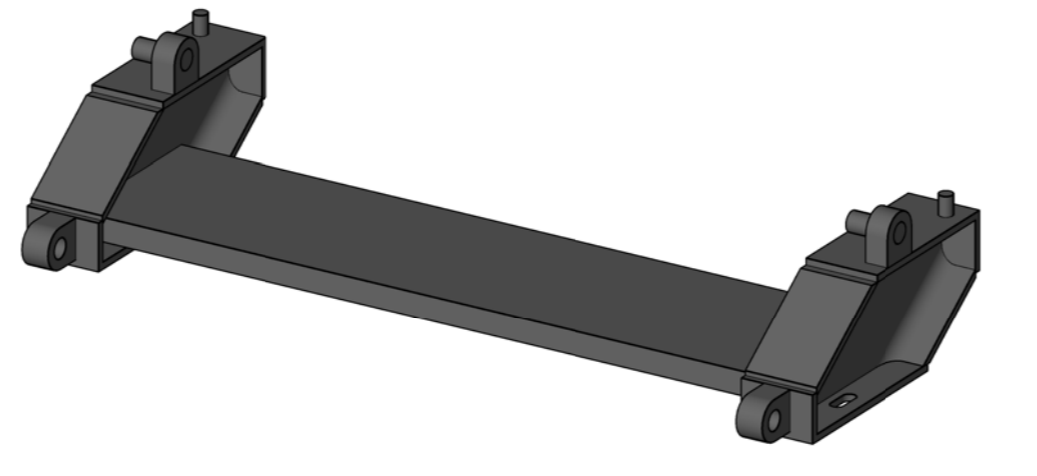
10 Isometric view of a demountable step with left side connection points
scale



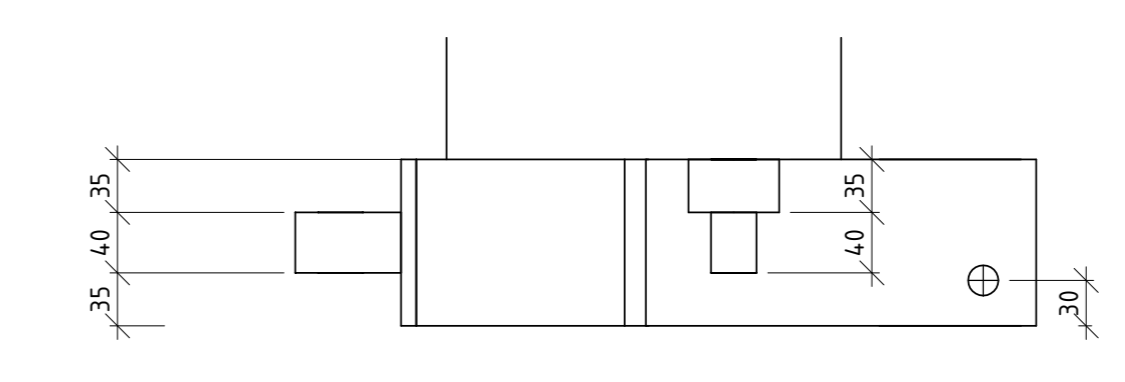
8 Cross-section of a ramp
scale 1: 10



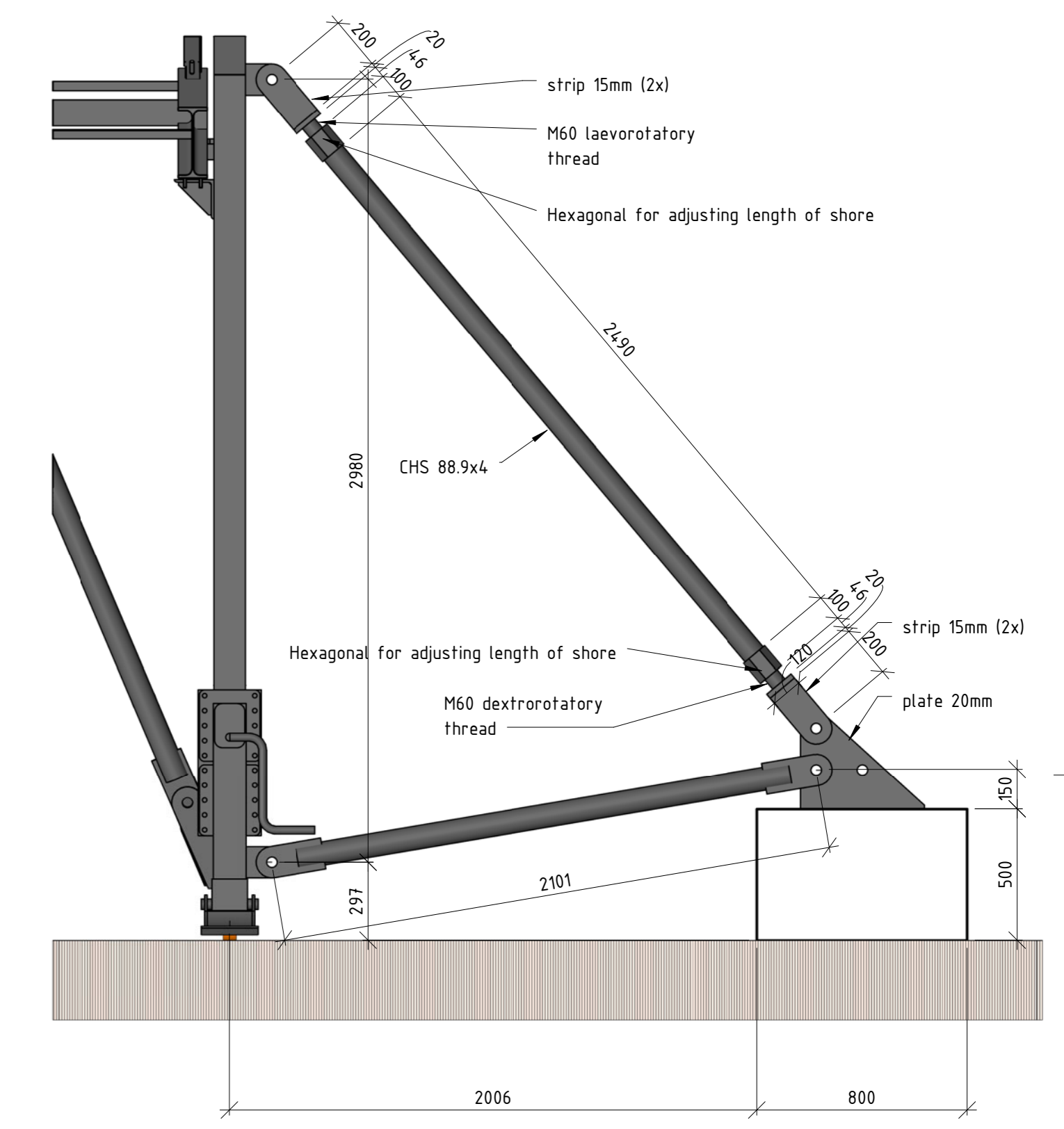
9 Side view of a ramp
scale 1: 10



11 Isometric view of a demountable step with right side connection points
scale

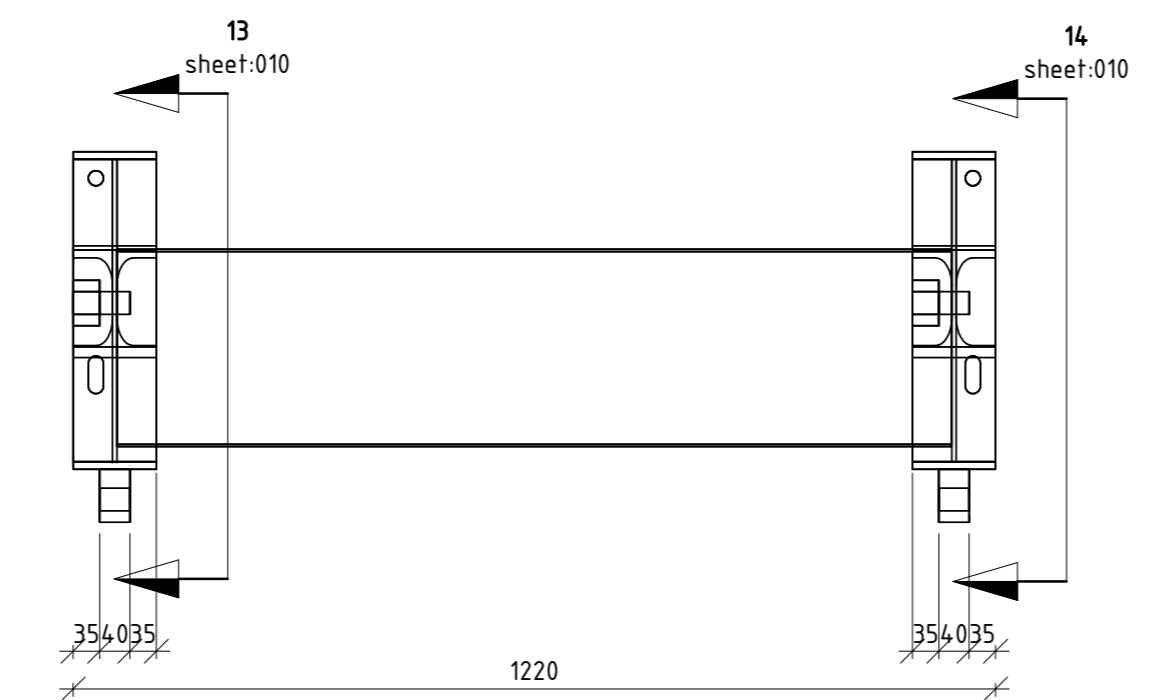


15 Top view of a detail of a demountable step
scale 1: 5

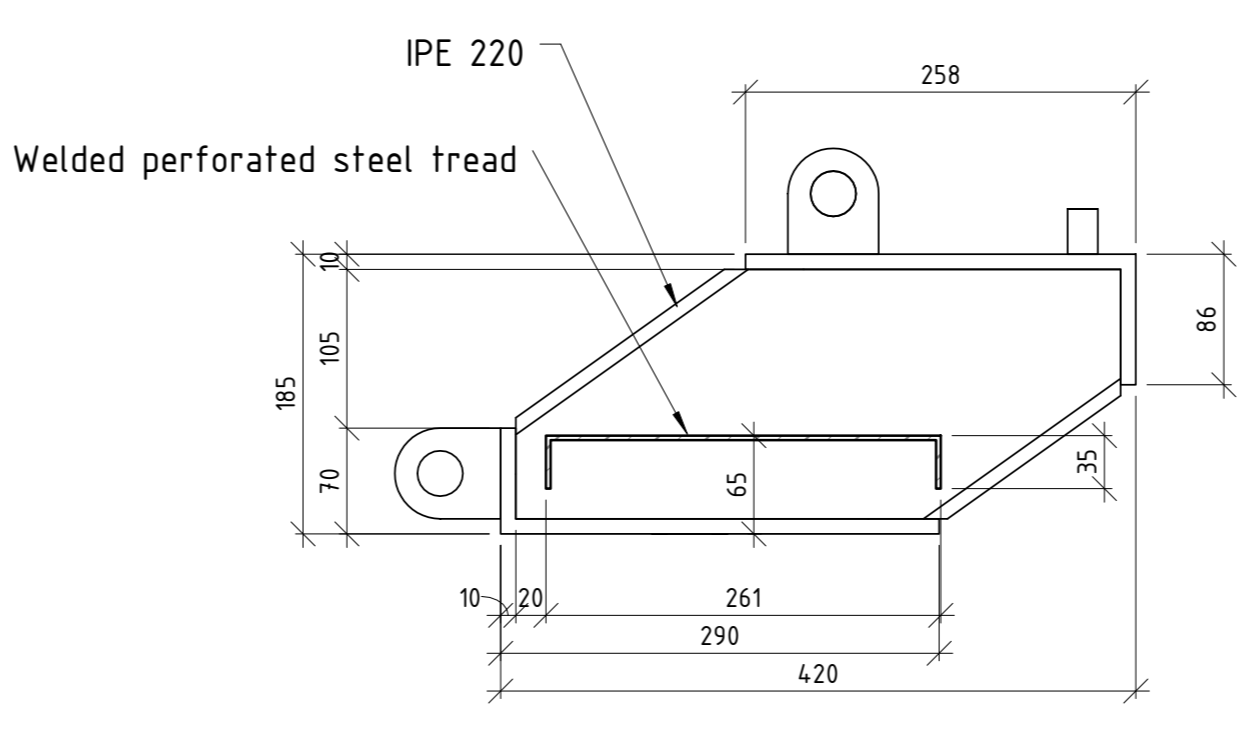


19 Side view of side shore for EventBridge with parallel attached stairways
scale

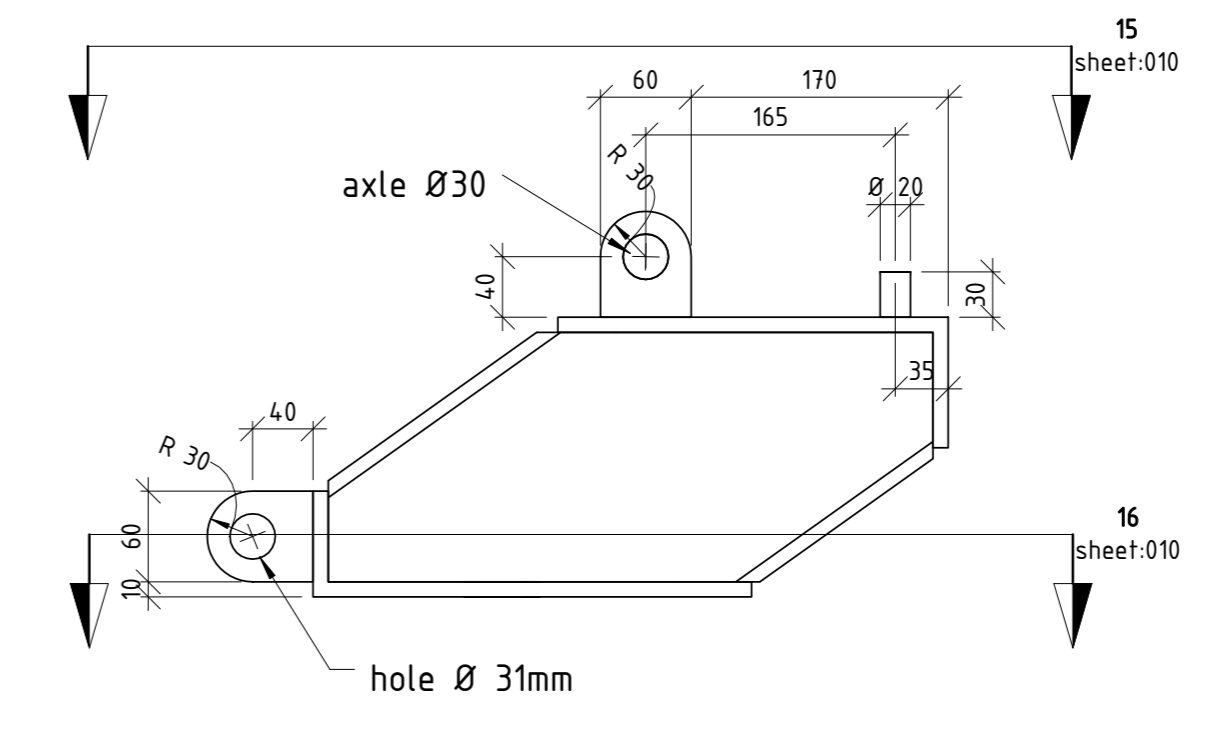
Stairs with ramp Stairs with 1 demountable step and ramp Stairs with 2 demountable steps and ramp



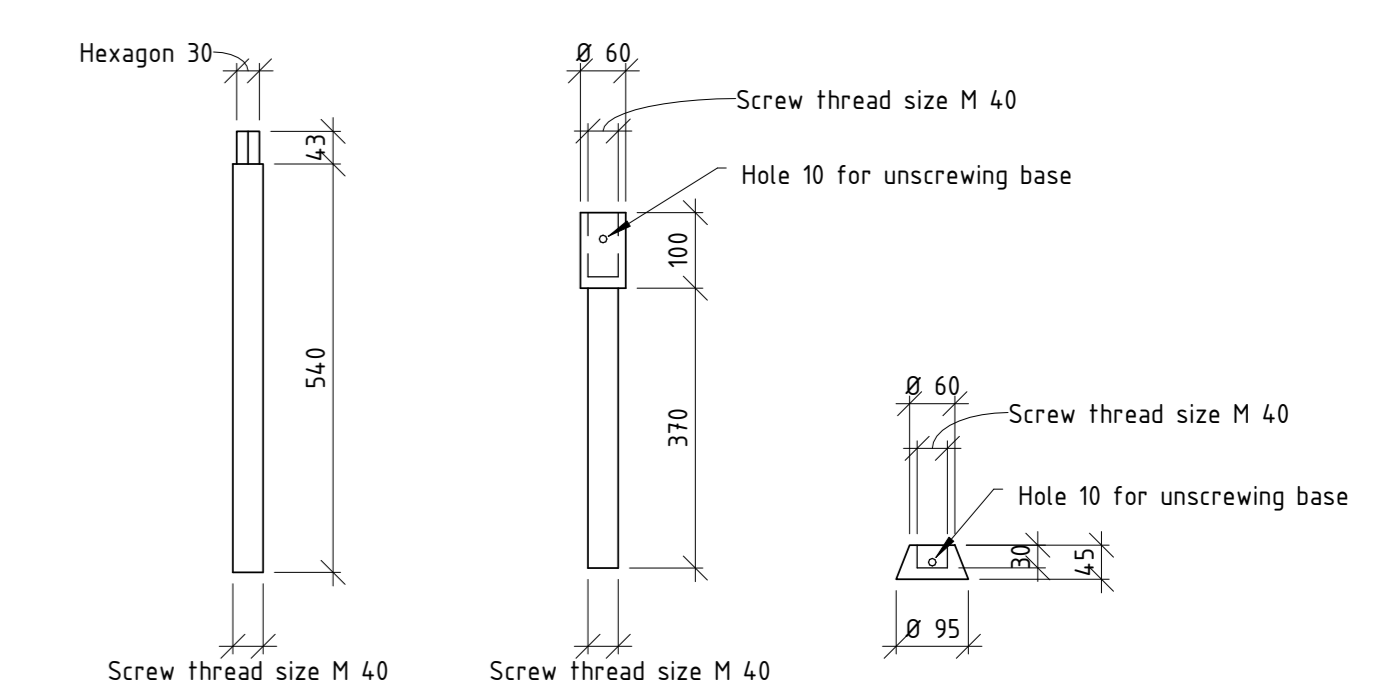
12 Top view of a demountable step
scale 1: 10



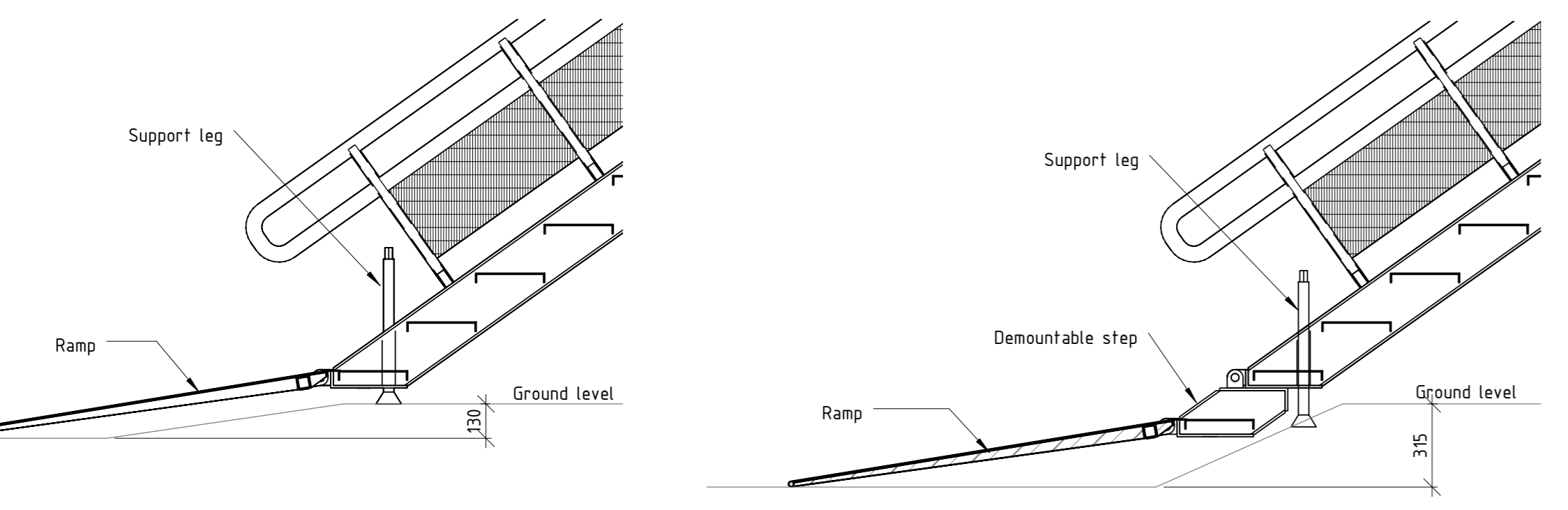
13 Cross-section of a demountable step
scale 1: 5



14 Side view of a demountable step
scale 1: 5

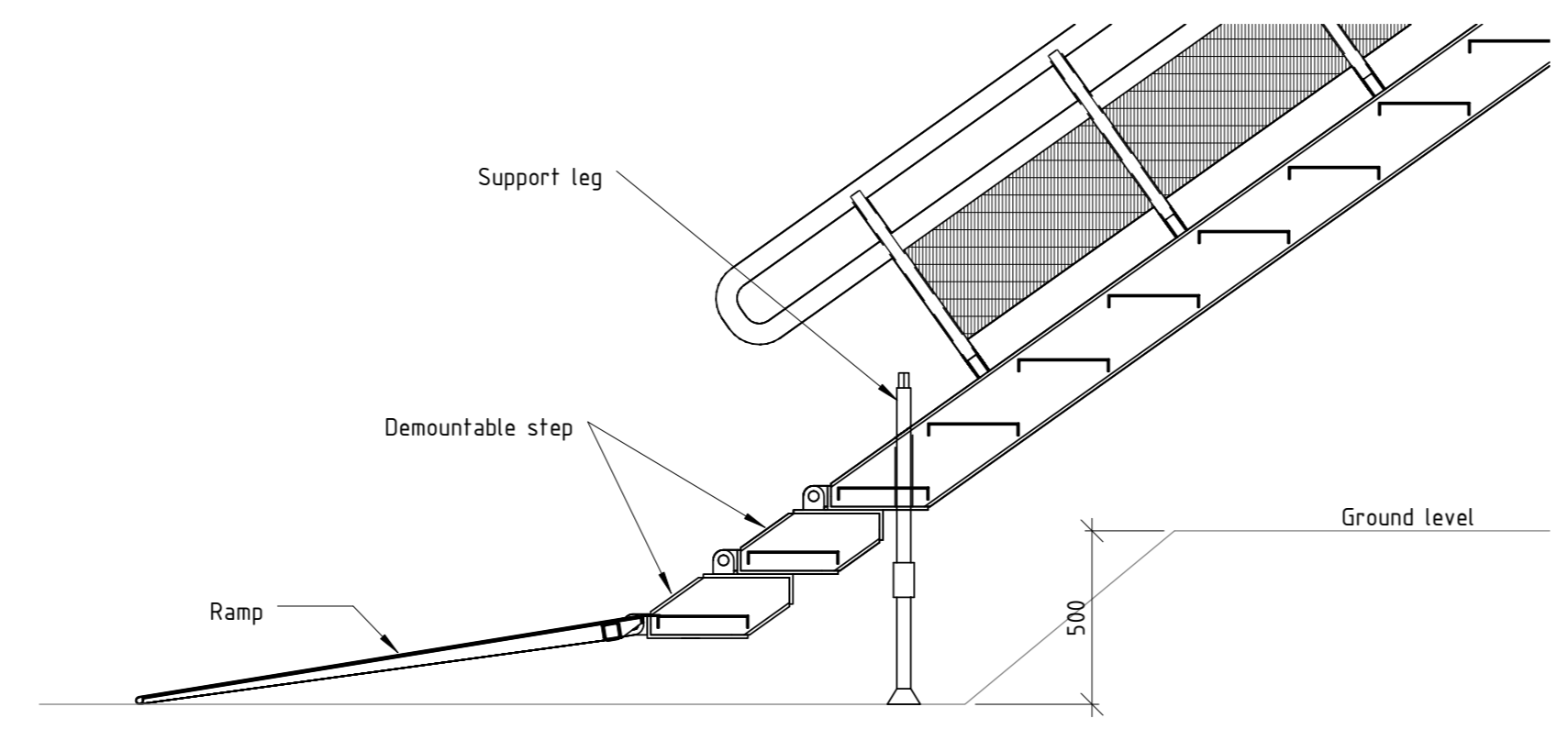


Support leg Lengthening part of support leg Base of support leg

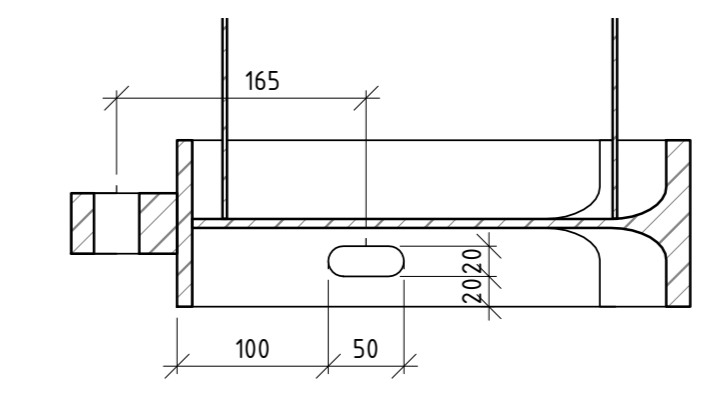


3 Cross-section of stairs with ramp
scale 1: 20

4 Cross-section of stairs with 1 demountable step and ramp
scale 1: 20



5 Cross-section of stairs with 2 demountable steps and ramp
scale 1: 20



16 Horizontal cross-section of one end of a demountable step
scale 1: 5

17 In height adjustable support leg of stairs
scale 1: 10

- Legend**
- Dimensions in millimeters
 - Blunt all sharp edges 2x45°
 - Cross-section references are provided with view and sheet number

Projectnumber	RMH00059	Client	EventBridge bv
Identificatienummer	105-720-AU-000201		
Version	2.0		
Versiedatum	14-06-2013		
Documentstatus	released		
Client size	AD		
Scale	1:20		
Drawn by	P.J. van Dijk		
Scale number			
Projectleader	ir. S.H.F.M. Taxis		
Checked by	ir. ing. H.J. van Lint		
Division	RM-IS-CO		
Department	CO		
Postbus	2855		
3900 EW Utrecht			