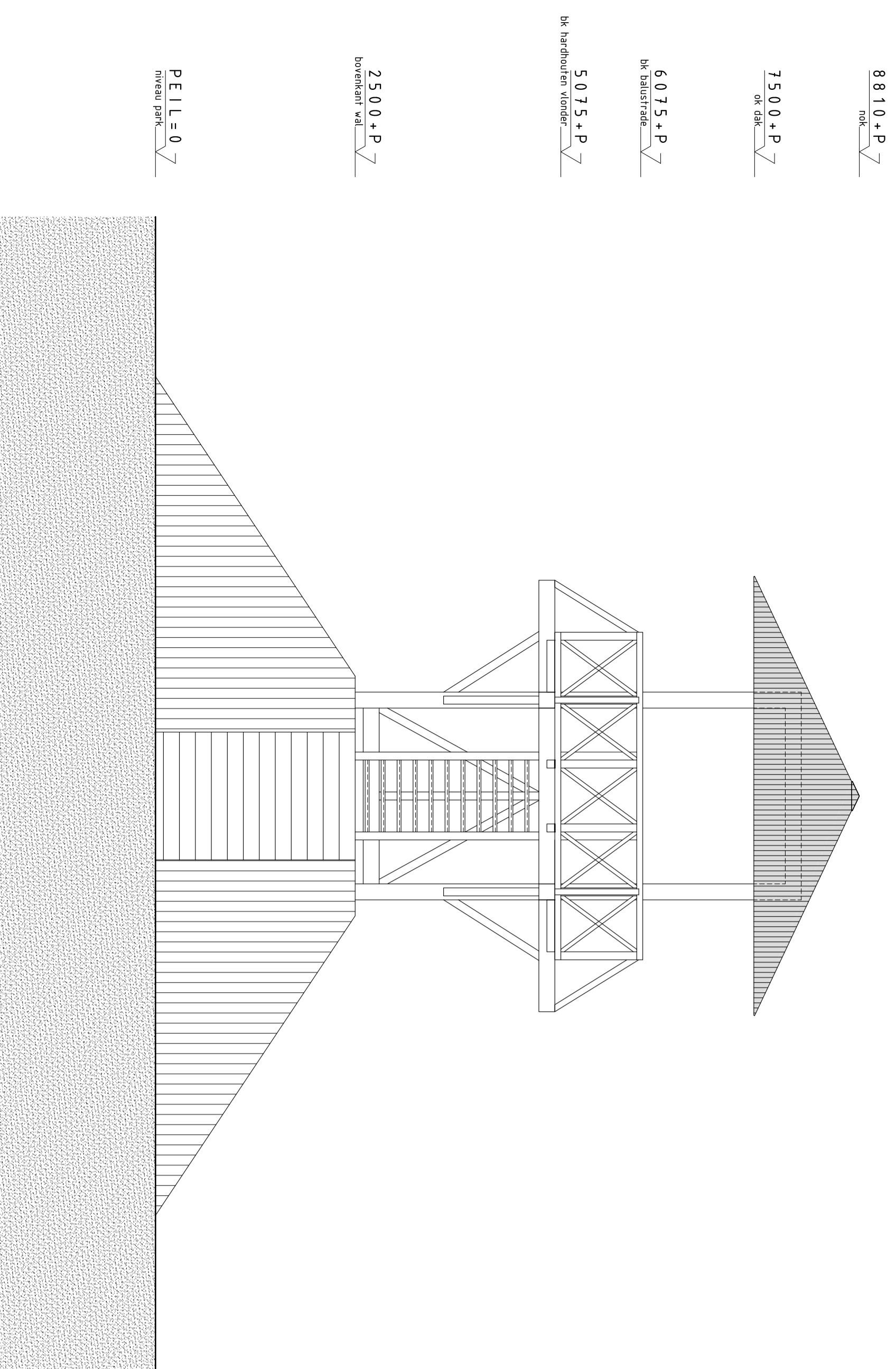
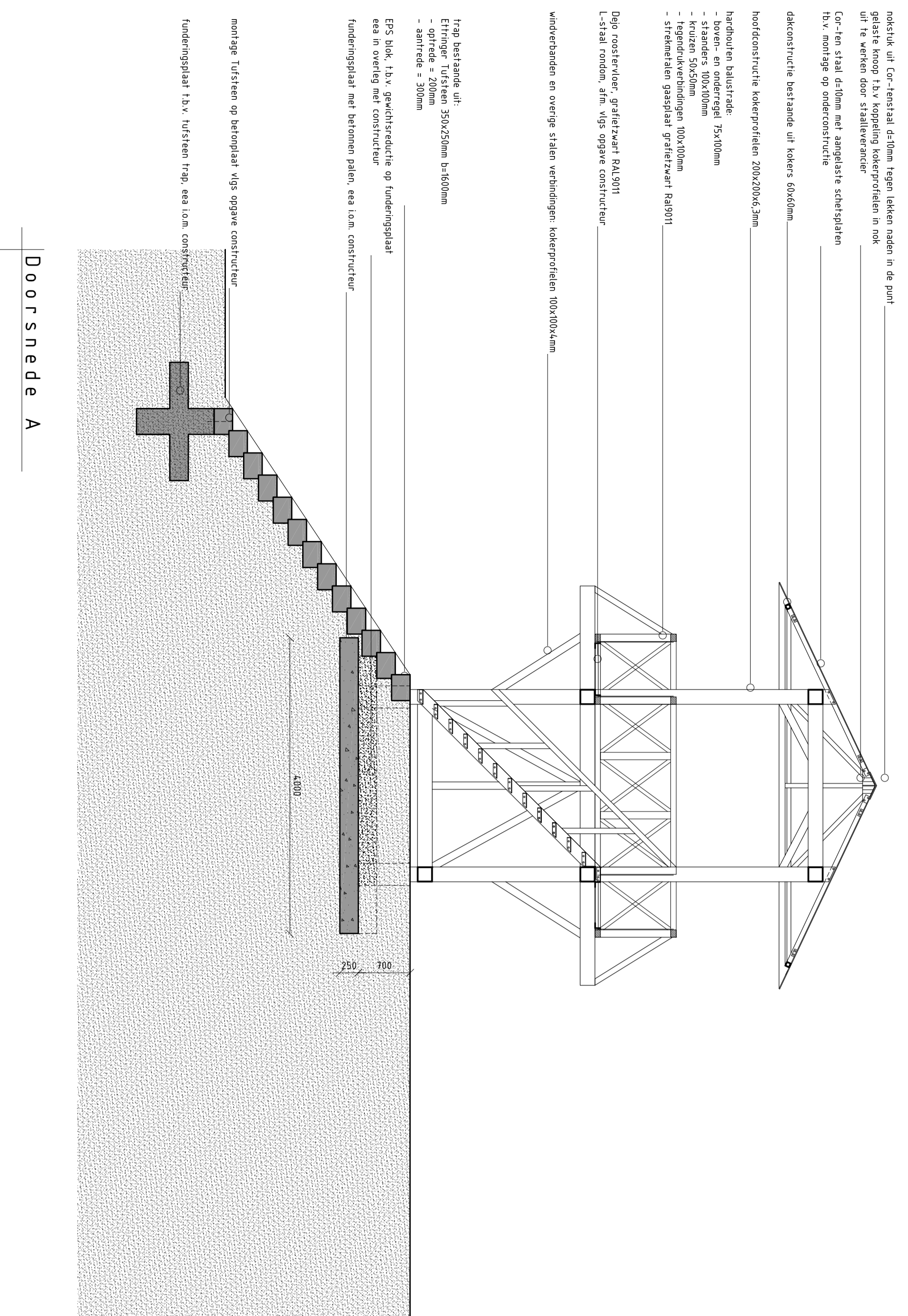


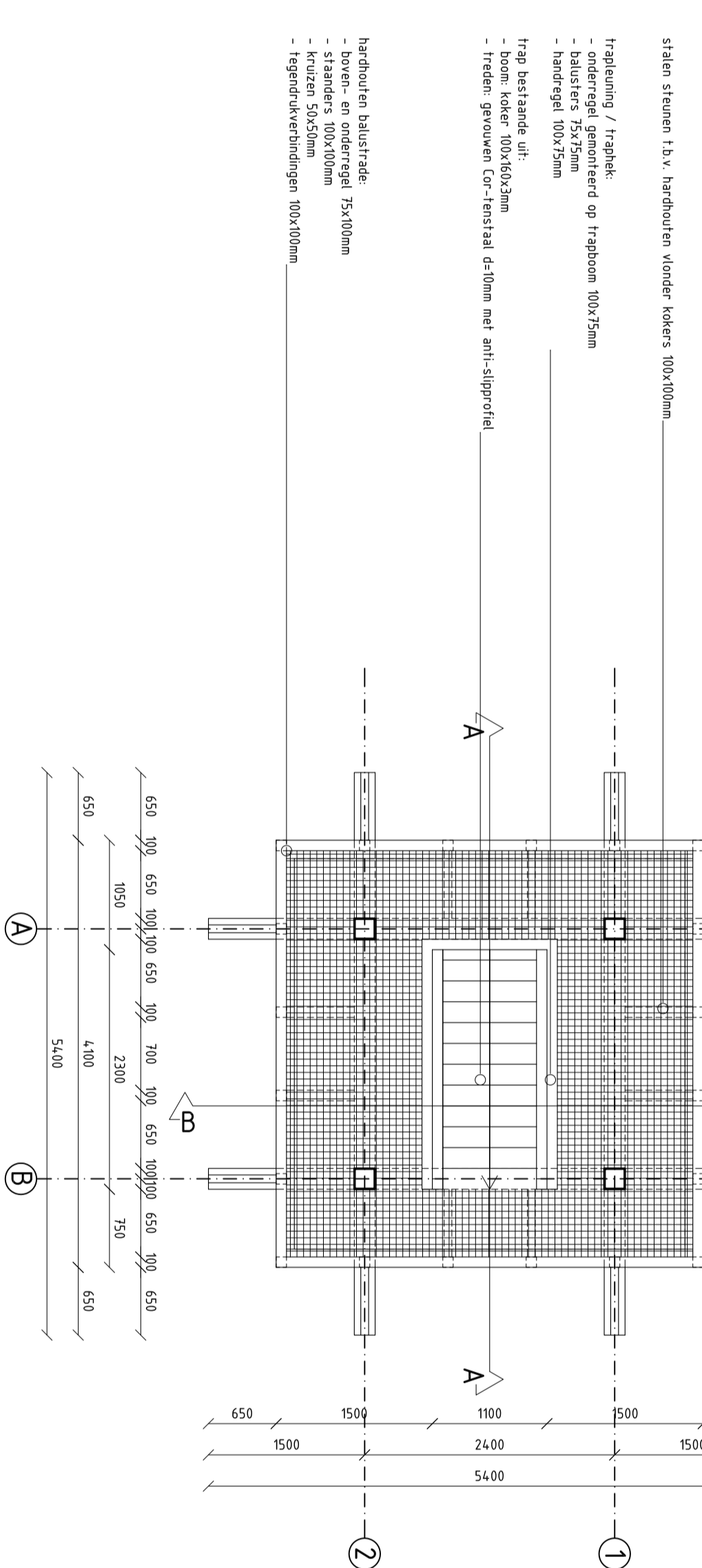
SITUATIE / PLATTEGROND



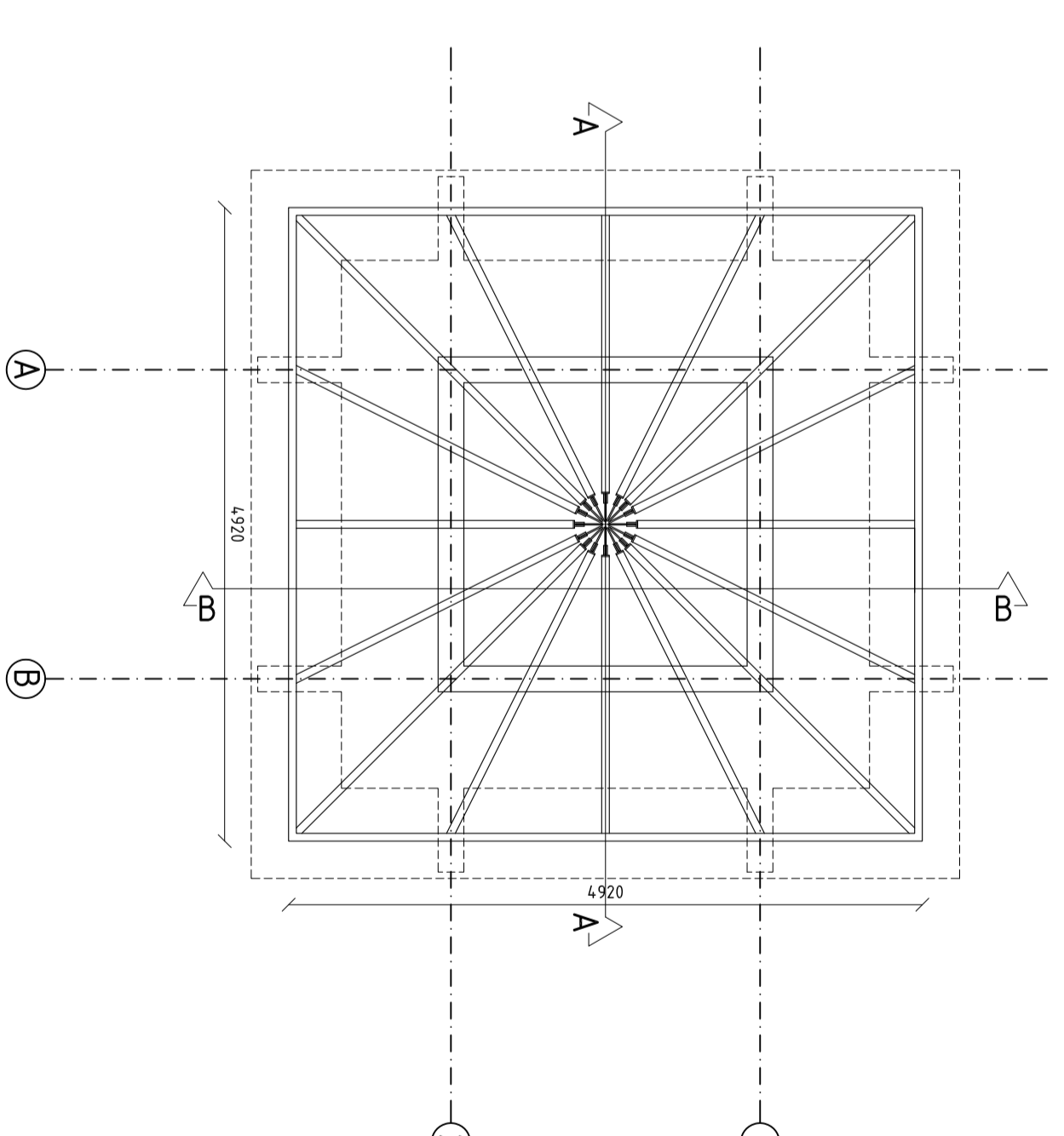
SITUATIE



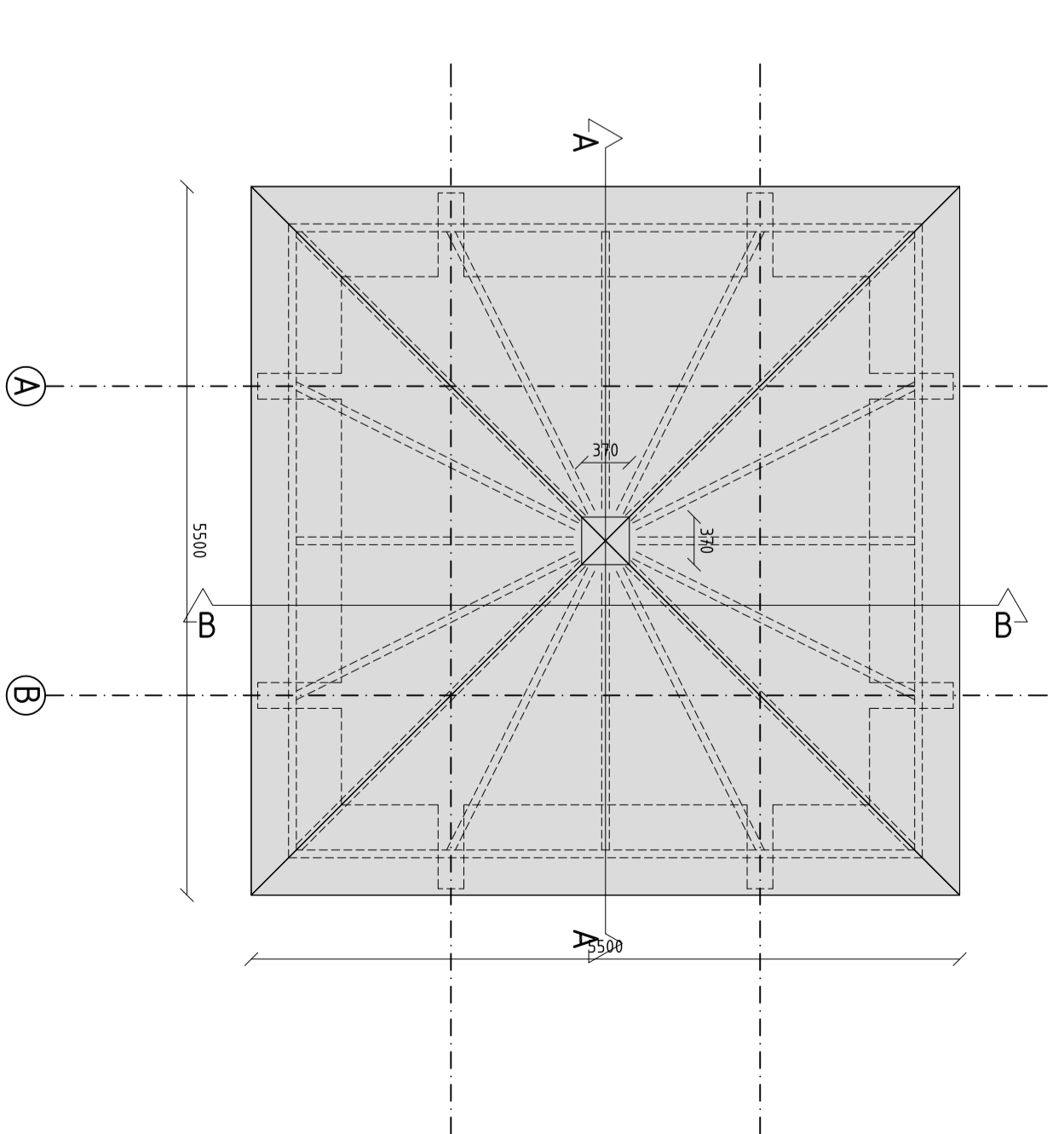
Doorsnede A



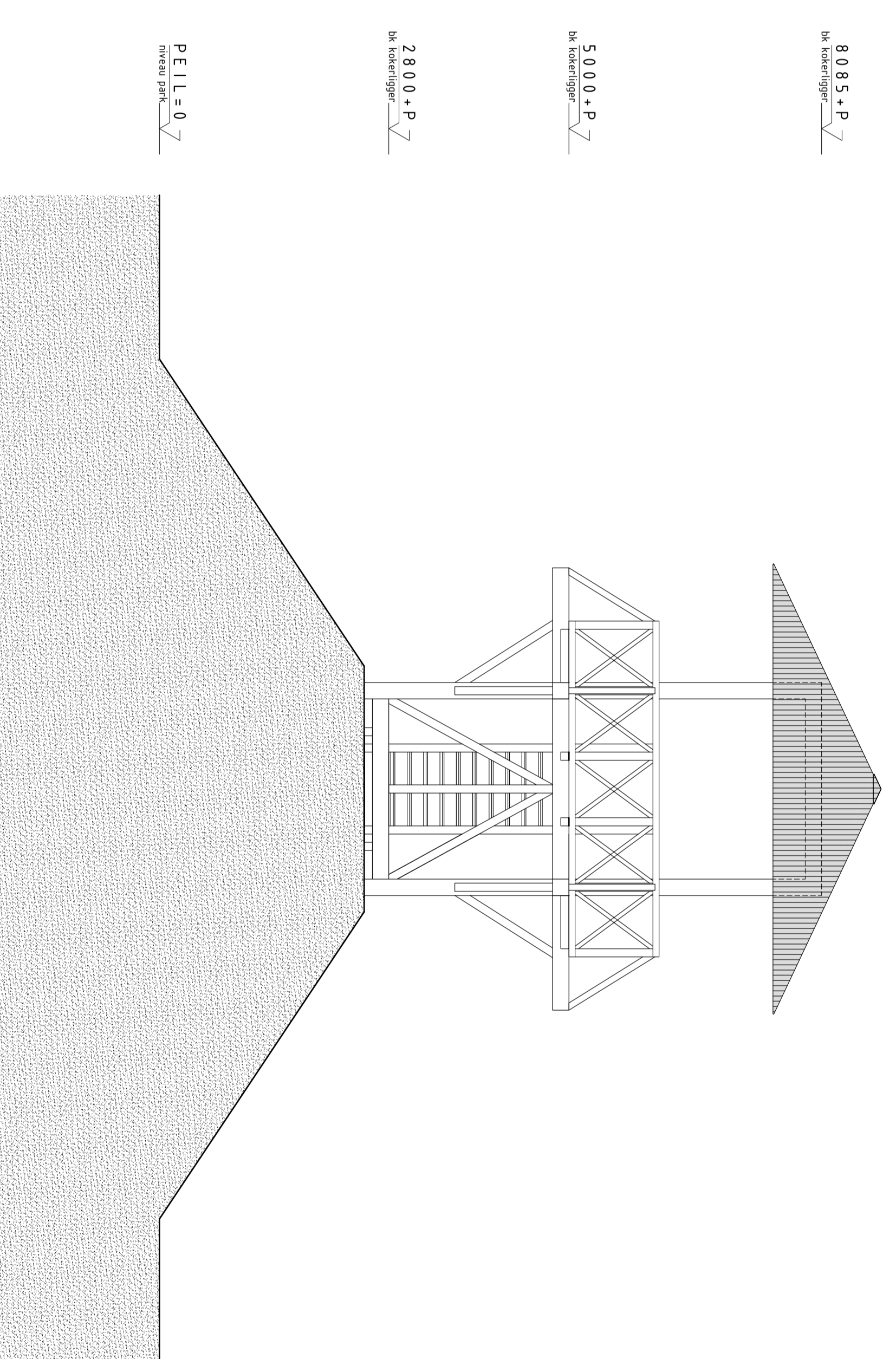
NIVEAU 1



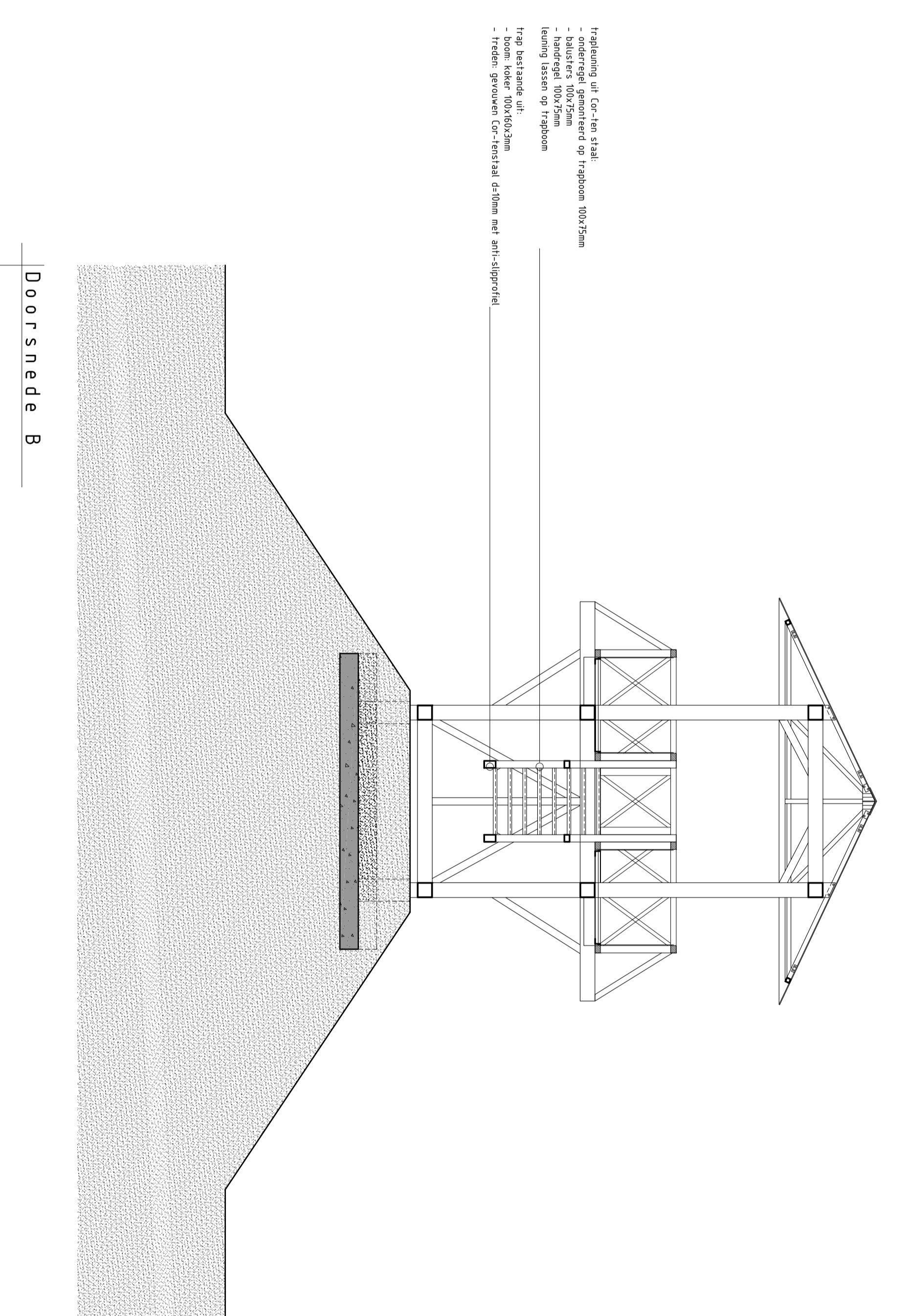
DAKCONSTRUCTIE



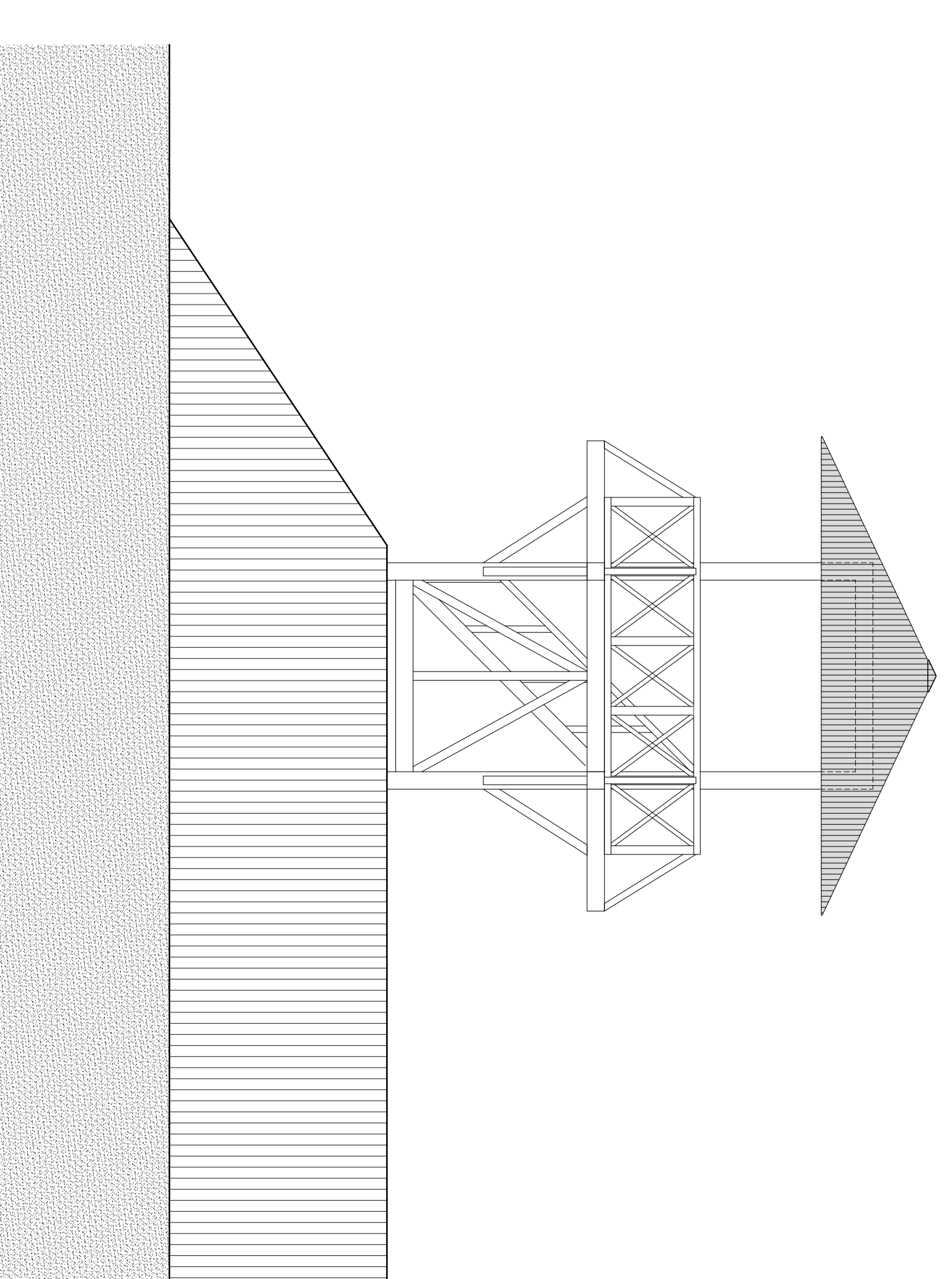
DAKANZICHT



SITUATIE



Doorsnede B



SITUATIE



Opmerkingen:  
Alle bevestigingen blind aanbrengen indien mogelijk.  
Alle bevestigingsmaterialen in GCR-ten plaatsen!  
Alle stalen draagvlakken in GCR-ten stalen draagvlakken vervangen.

**UITVOERING:**  
3x met trappen  
3x zonder trappen

architecture, interior & urban design

**OASA architects**  
sustainable aesthetics

Project: **Wachters' Markt**  
Onderaannemer: **Generatie Leiden**

Overzicht:  
OASA 06.001 1:50  
WT1.01 1:50  
WT2.01 1:50  
WT3.01 1:50  
WT4.01 1:50  
WT5.01 1:50  
WT6.01 1:50  
WT7.01 1:50  
WT8.01 1:50  
WT9.01 1:50  
WT10.01 1:50  
WT11.01 1:50  
WT12.01 1:50  
WT13.01 1:50  
WT14.01 1:50  
WT15.01 1:50  
WT16.01 1:50  
WT17.01 1:50  
WT18.01 1:50  
WT19.01 1:50  
WT20.01 1:50  
WT21.01 1:50  
WT22.01 1:50  
WT23.01 1:50  
WT24.01 1:50  
WT25.01 1:50  
WT26.01 1:50  
WT27.01 1:50  
WT28.01 1:50  
WT29.01 1:50  
WT30.01 1:50  
WT31.01 1:50  
WT32.01 1:50  
WT33.01 1:50  
WT34.01 1:50  
WT35.01 1:50  
WT36.01 1:50  
WT37.01 1:50  
WT38.01 1:50  
WT39.01 1:50  
WT40.01 1:50  
WT41.01 1:50  
WT42.01 1:50  
WT43.01 1:50  
WT44.01 1:50  
WT45.01 1:50  
WT46.01 1:50  
WT47.01 1:50  
WT48.01 1:50  
WT49.01 1:50  
WT50.01 1:50  
WT51.01 1:50  
WT52.01 1:50  
WT53.01 1:50  
WT54.01 1:50  
WT55.01 1:50  
WT56.01 1:50  
WT57.01 1:50  
WT58.01 1:50  
WT59.01 1:50  
WT60.01 1:50  
WT61.01 1:50  
WT62.01 1:50  
WT63.01 1:50  
WT64.01 1:50  
WT65.01 1:50  
WT66.01 1:50  
WT67.01 1:50  
WT68.01 1:50  
WT69.01 1:50  
WT70.01 1:50  
WT71.01 1:50  
WT72.01 1:50  
WT73.01 1:50  
WT74.01 1:50  
WT75.01 1:50  
WT76.01 1:50  
WT77.01 1:50  
WT78.01 1:50  
WT79.01 1:50  
WT80.01 1:50  
WT81.01 1:50  
WT82.01 1:50  
WT83.01 1:50  
WT84.01 1:50  
WT85.01 1:50  
WT86.01 1:50  
WT87.01 1:50  
WT88.01 1:50  
WT89.01 1:50  
WT90.01 1:50  
WT91.01 1:50  
WT92.01 1:50  
WT93.01 1:50  
WT94.01 1:50  
WT95.01 1:50  
WT96.01 1:50  
WT97.01 1:50  
WT98.01 1:50  
WT99.01 1:50  
WT100.01 1:50