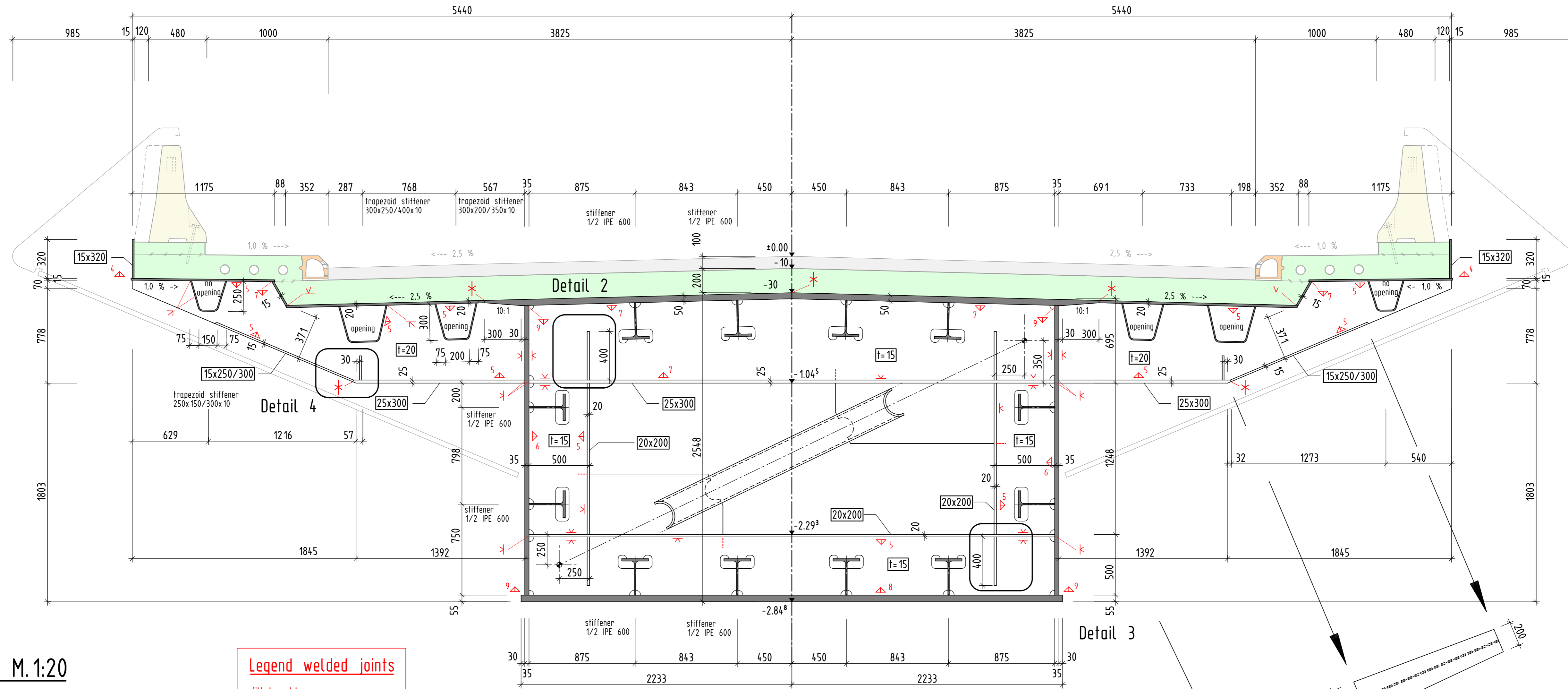
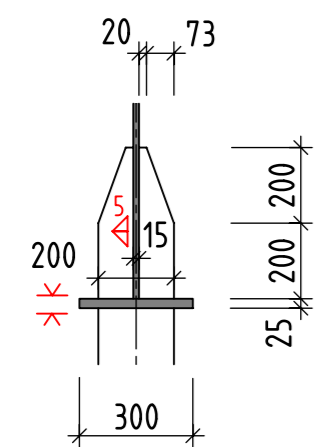


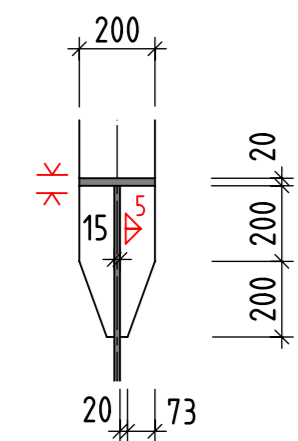
Span between axis 2/3 M. 1:20
Cross girder 3



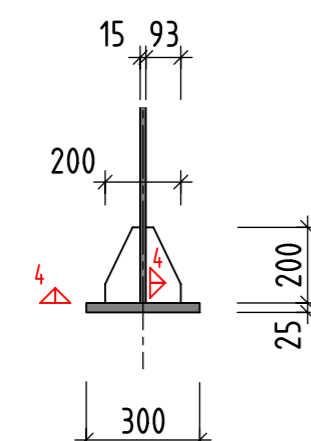
Detail 2 M.1:20



Detail 3 M.1:20



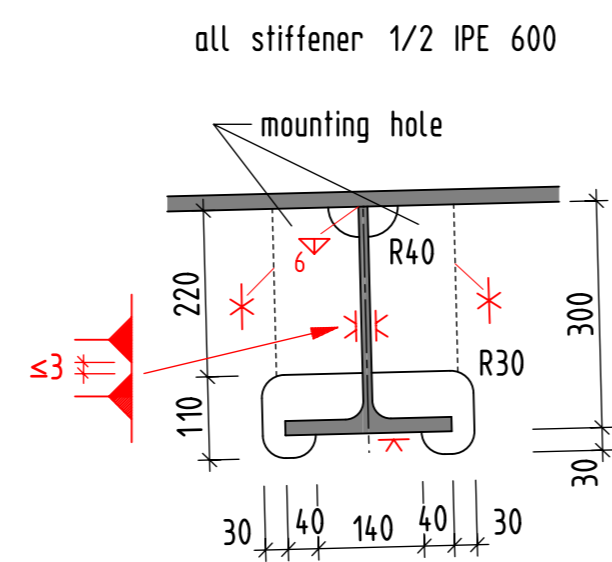
Detail 4 M.1:20



Legend welded joints

- fillet weld:
- butt weld:
- weld change:

Detail 6 M.1:10



Material list

| | |
|--------------------------------------|---------------------|
| Steel struts (tubes): | S 355 J2 H |
| Steel construction (plates < 50 mm): | S 355 N |
| Steel construction (plates > 50 mm): | S 355 NL |
| Headed studs: | S 235 J2 G3 + C 450 |
| Concrete (prestressed part): | C 45/55 |
| Concrete (on steel construction): | C 35/45 |

| | | | | | | | |
|-----------------|--|----------------|---------------|---------|------------|--------|------------|
| Oprichtgever: | ProRail | | | | | | |
| Project: | Zwolle Busbrug | | | | | | |
| Omschrijving: | Definitief Ontwerp Staalbouw (Materiaalverdeling) Dwarsdoorsnede - Dwarsdrager 3 | | | | | | |
| | | | | | | | |
| Schaal: | 1:20 | Opgesteld: | G. Setzpfandt | Paraaf: | | Datum: | 22.12.2017 |
| Gecontroleerd: | 1:10 | Gecontroleerd: | T. Wolkamp | Paraaf: | | Datum: | CGF GEDFI |
| Formaat: | A1 | Vrijgegeven: | J. Bolhuis | Paraaf: | | Datum: | CGF GEDFI |
| Tekeningnummer: | 335063-O-1.2.3-DO-800-0404 | | | | | | |
| Status: | DEFINITIEF | Versie: | D | Datum: | 22-12-2017 | | |