

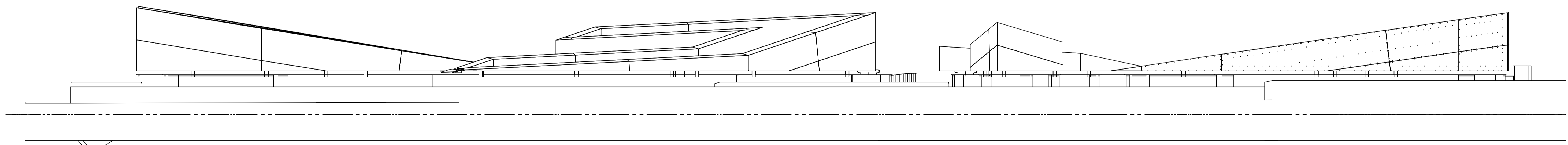
1:125

RESH

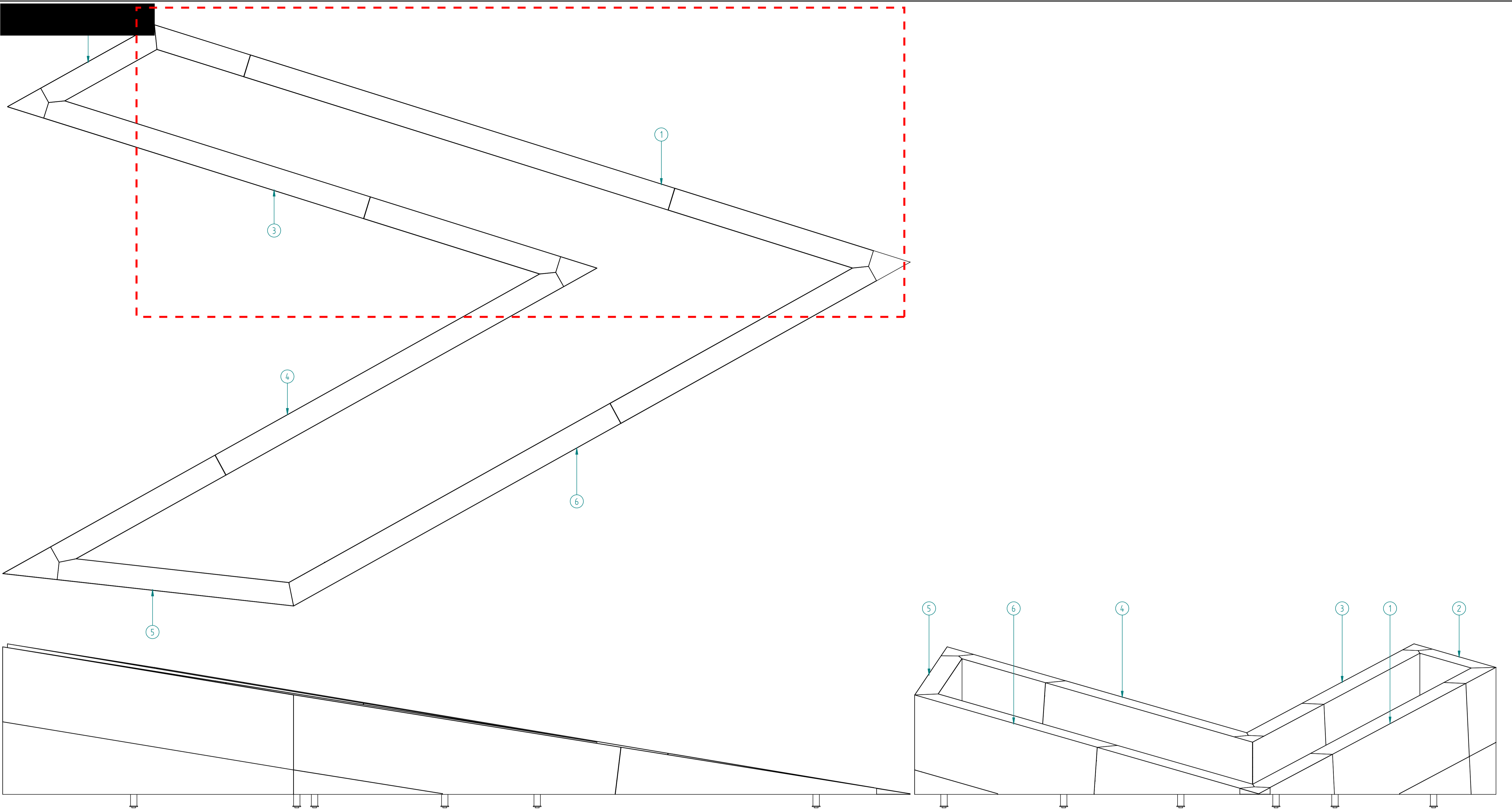
KAF

ZAIN

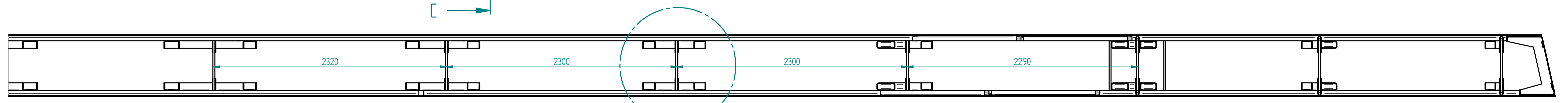
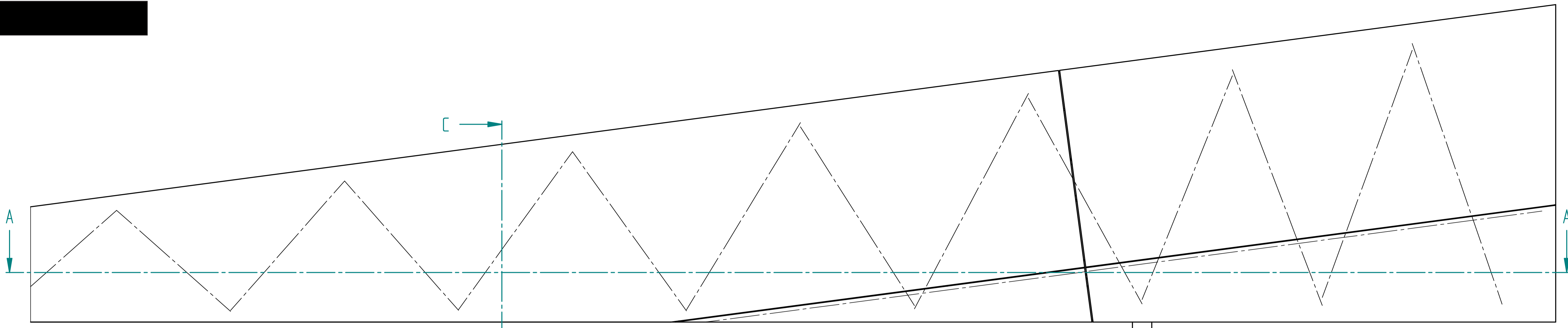
LAMED



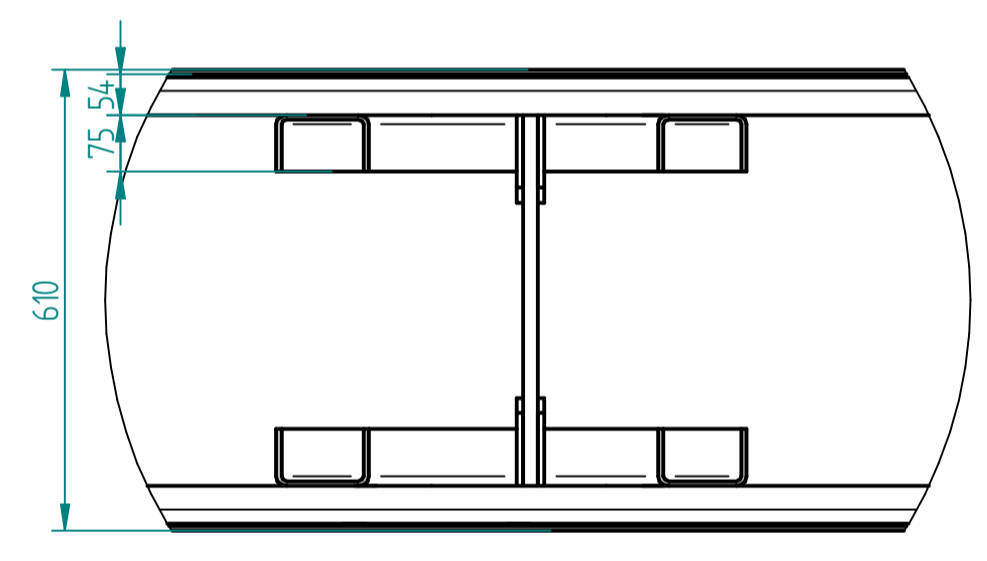
	NAME	DATE			
DRAWN					TITLE
CHECKED					HNM_MASTER SITE AIP
ENG APPR					PROJECT REF.
STATUS			REV	0	
<small>This document & content remains the property of AIP partners. All rights reserved.</small>			SIZE		
<small>DIMENSIONS ARE IN MILLIMETERS, UNLESS SPECIFIED OTHERWISE.</small>			A1		
SCALE:	WEIGHT:	SHEET 1 OF 2			



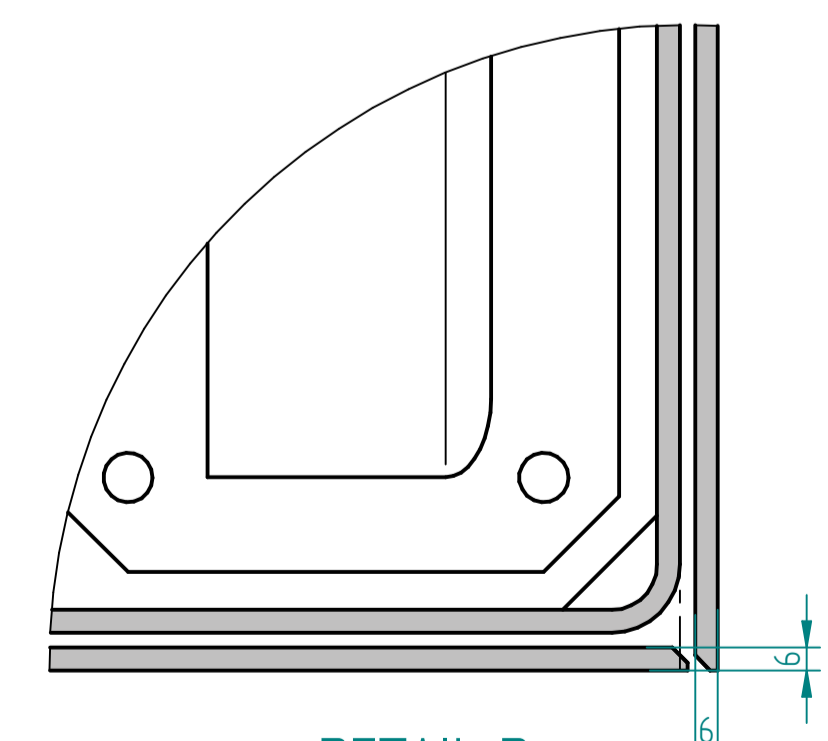
	NAME	DATE				
DRAWN					TITLE	
CHECKED					RESH PRODUCTIEMODEL	
ENG APPR					PROJECT REF.	
STATUS			SCALE:	WEIGHT:	REV A	SHEET 1 OF 1
<small>This document & content remains the property of AIP partners. All rights reserved.</small>			SIZE A1			
<small>DIMENSIONS ARE IN MILLIMETERS, UNLESS SPECIFIED OTHERWISE.</small>						



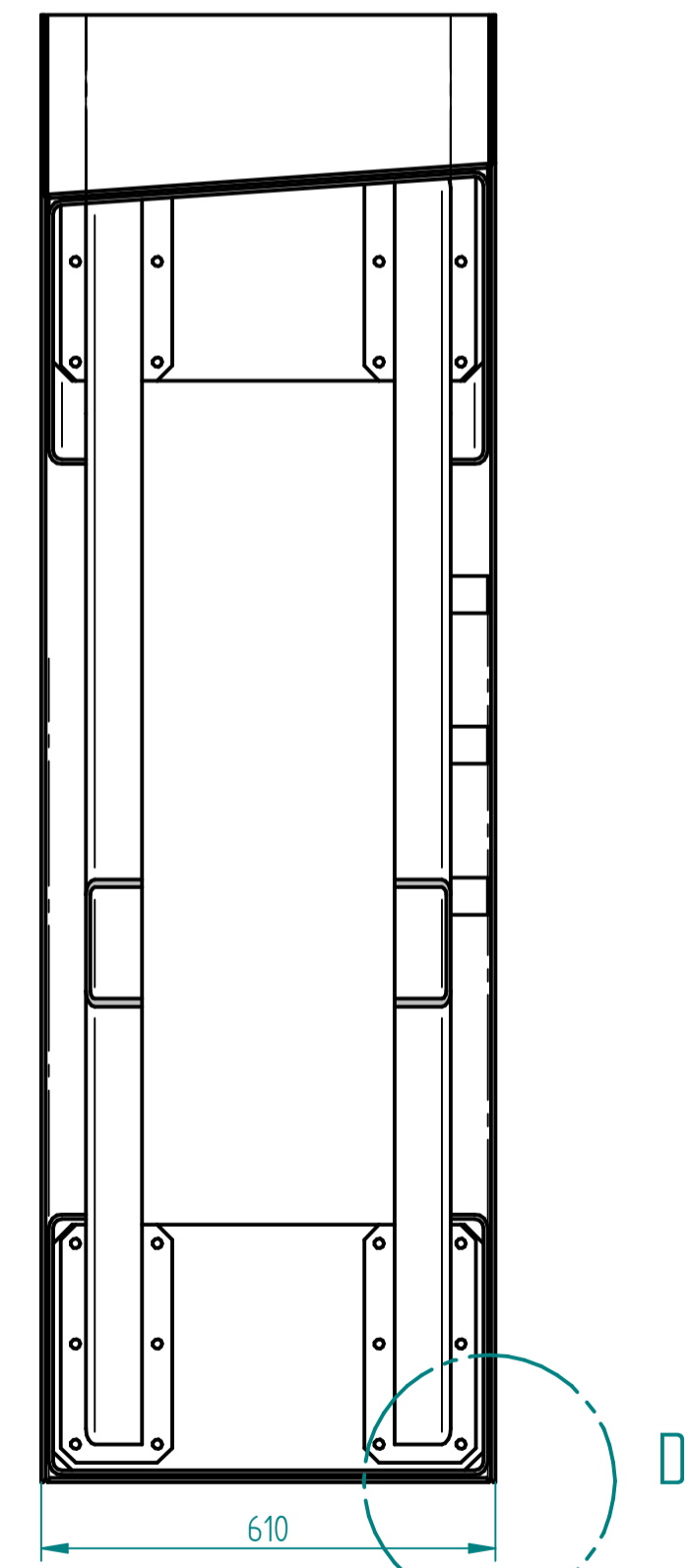
B SECTION A-A



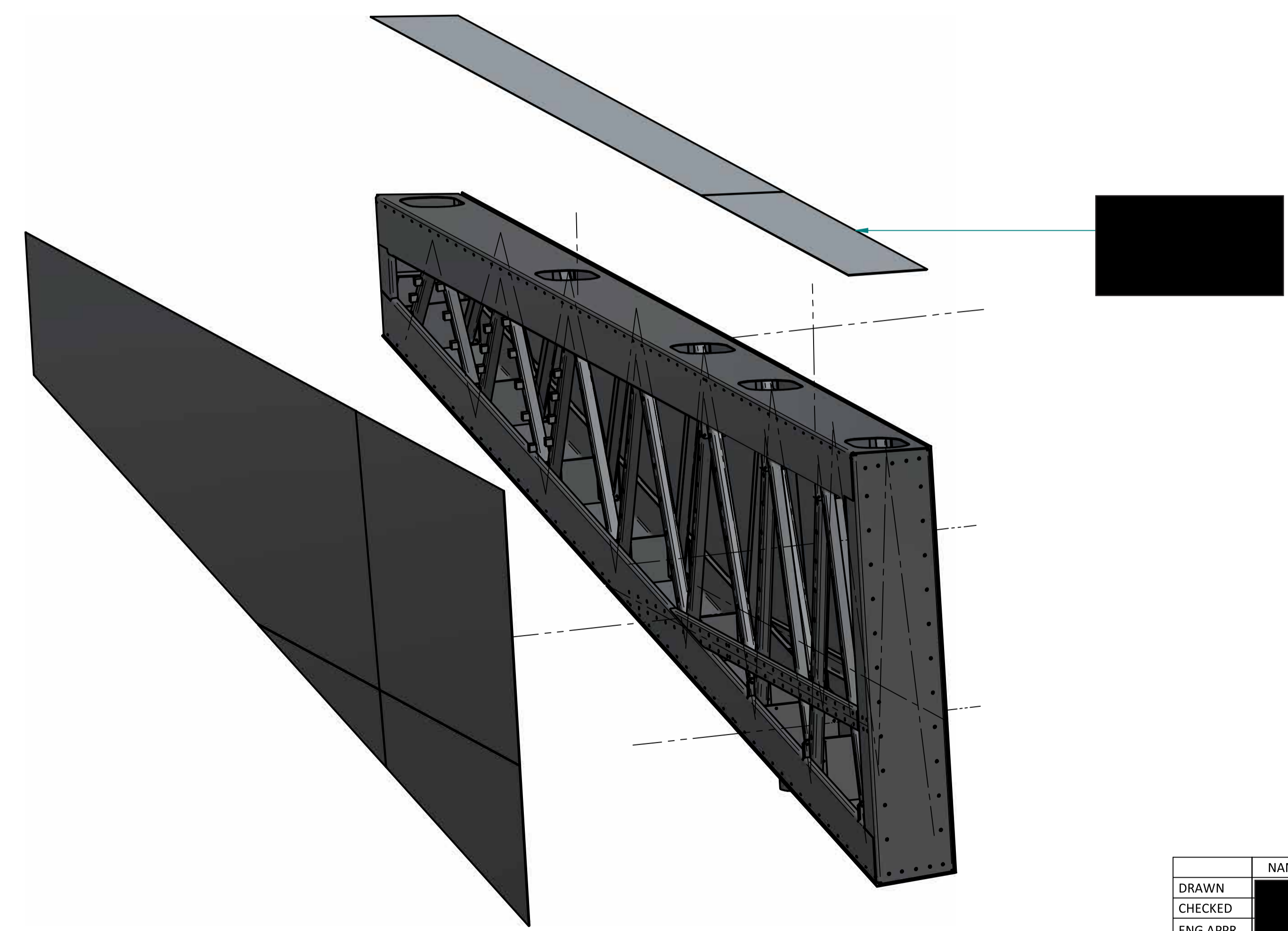
DETAIL B



DETAIL D



SECTION C-C



	NAME	DATE		
DRAWN				
CHECKED			TITLE	
ENG APPR			AF161101 LAMED	
STATUS			PROJECT REF.	REV
<small>This document & content remains the property of AIP partners. All rights reserved.</small>			NHNM	0
<small>DIMENSIONS ARE IN MILLIMETERS, UNLESS SPECIFIED OTHERWISE.</small>			SCALE:	WEIGHT: SHEET 2 OF 2